

**15680151**

**Product Specification Sheet**

AZURE TALL LAVABO BATARYASI

Print Date 17.07.2020

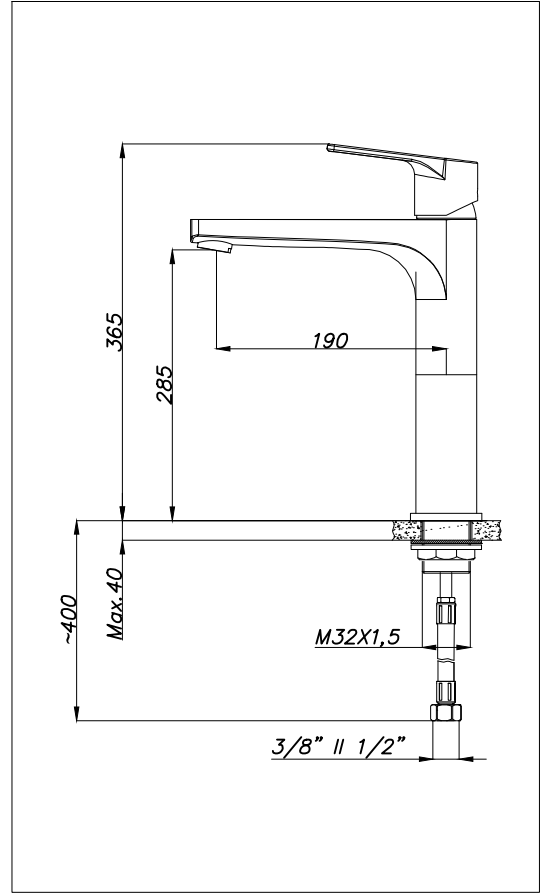
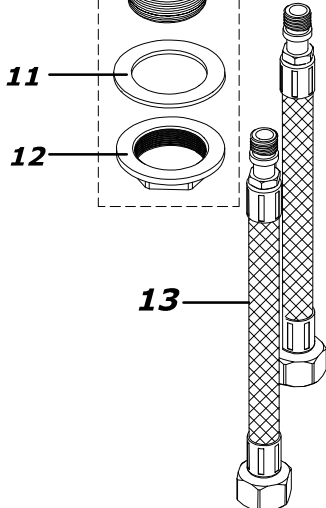
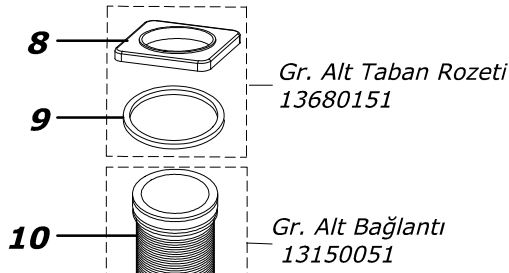
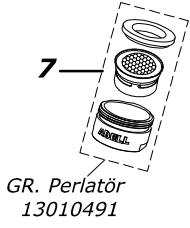
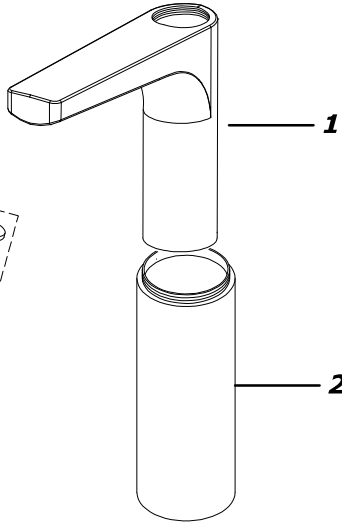
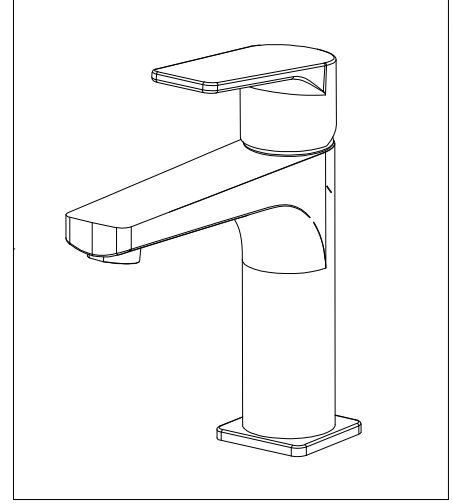
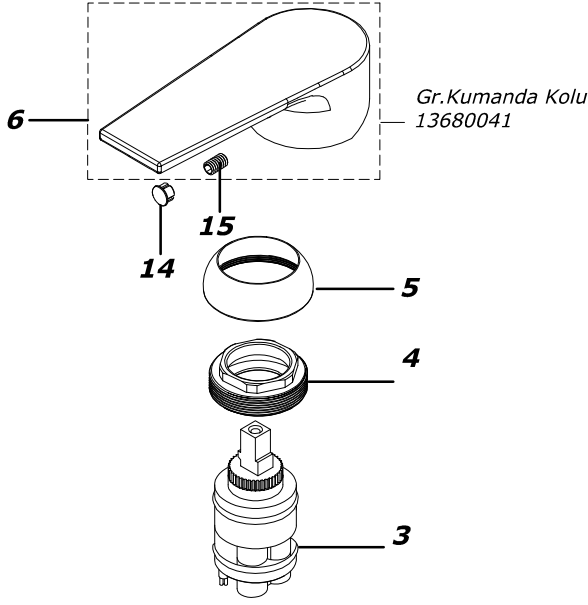
AZURE TALL BASIN FAUCET



## Technical Specifications

Finish	Chrome
Manufacturer Warranty	10 Year
Flow Rate	(at 3 bar) 9 L/min
Water Connection Flex Dimension	3/8"
Product Standard	TS EN 817 (Single Control)
Body Raw Material	Brass
Aearator Type	M24X1 Male Threaded
Operation Type	Ceramic Disc Cartridge Ø35 mm With Leg Direct Flex Inlet
Number Of Control Handle	Single
Material Of Control Handle	Metal
Max. Performance Pressure	10 Bar
Suggested Performance Pressure	3 Bar
Min. Performance Pressure	0.5 Bar
Suggested Min. Pressure	1 Bar
Max. Performance Temperature	80°C
Suggested Performance Temperature	60°C
Installation Connection Type	Countertop
Spout Length	190 mm
Spout Height	
Water Connection Flex Length	60 cm
Dimension Of Base Rosette	50 mm x 50 mm
Number Of Loom Holes For Assembly	1
Loom Hole Diameter	Ø33±1 mm
Max. Loom Thickness	40 mm
Spout / Pipe Type	Fix
Product Total Height	365 mm

## AZURE TALL LAVABO BATARYASI - 15680151



Sıra	Adet	Parça/Grup Adı	Kod No	Ölçü	Malzeme
15	1	Setuskur	12010490	M5x8	AISI-304
14	1	Bice	12011290	Ø7,6	
13	1	Flex 60cm	13080190	M10x1-3/8"	
12	1	Faturalı Somun	12140120	M32x1,5	
11	1	Tespit Plaka Contası	12450150	Ø4,3xØ3,3x3	NBR
10	1	Alt Bağlantı Burcu	12150030	M36x1,5-M32x1,5	
9	1	O-Ring	12011130	Ø40,87xØ3,53	NBR
8	1	Alt Gövde Tabanı	12680031		
7	1	Perlatör Gr.	13010191	M24x1	
6	1	Kumanda Kol Gr.	13680041		
5	1	Kartuş Rozeti	12010381	M37x1,25	CuZn40Pb2
4	1	Baskı Somunu	12020360	M37x1,25	Plastik
3	1	Kartuş (Flex Girişli)	12011390	Ø35	
2	1	Alt Gövde	12490241	L=140	
1	1	Gövde	12680151		

**Adell**