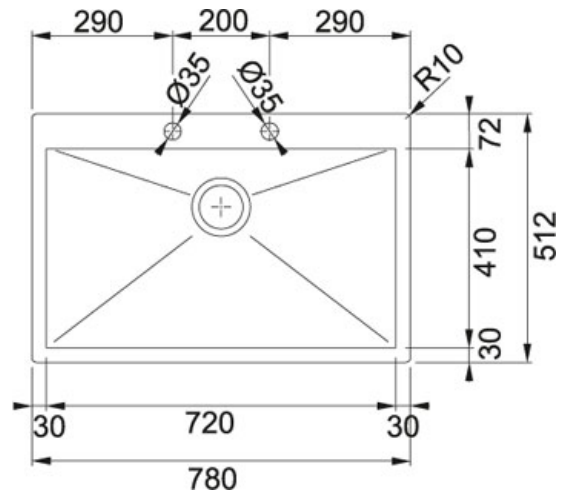


Planar PPX 210-78 TL Stainless Steel | 127.0198.197

FAMILY : Sinks | SERIE : Planar | MODEL : PPX 210-78 TL | FINISH : Stainless Steel | INSTALLATION TYPE : Inset |
 INSTALLATION TYPE : Flushmount | INSTALLATION TYPE : Flushmount / Slim | INSTALLATION TYPE : semifilo / filotop |
 PRODUCT LINE : Planar | INSTALLATION TYPE : Slim-Top



TECHNICAL DATA

Cabinet Size	800.00 mm
Waste Outlet Diameter	3-1/2"-TWIST-CONTROL-WASTE
Length overall	780.00 mm
Width overall	512.00 mm
Length of large bowl	720.00 mm
Width of large bowl	410.00 mm
Depth of large bowl	200.00 mm
Number of Bowls	1
Siphon Included	YES
Tap Hole	2
Cut-Out	TEMPLATE
Cut-Out Template	YES
Suggested product	SEALANT-KIT-0396945
Waste Kit Included	YES
Surface Finish	X-BRUSHED/SATIN
Dimensions	780X512
Status_Production_FIP	ACTIVE
Cabinet	80
Remark Cut-out FPP	SEE-CUT-OUT-DRAWING
Cabinet Position	400
Cutout Length	760.00 mm
Cutout Width	492.00 mm
Tap Ledge Worktop	Yes
Production plant	FIP
PRODUCT-SHAPE-CHECK	RECTANGULAR WIDTH

FEATURES

	Waste disposal unit optional		Waste kit with remote twist control
	New		Edge profile flushmount
	Edge profile slimtop		AISI 304
			Waste outlet 3.5_2
	Integrated Overflow		Bowl Radius 0