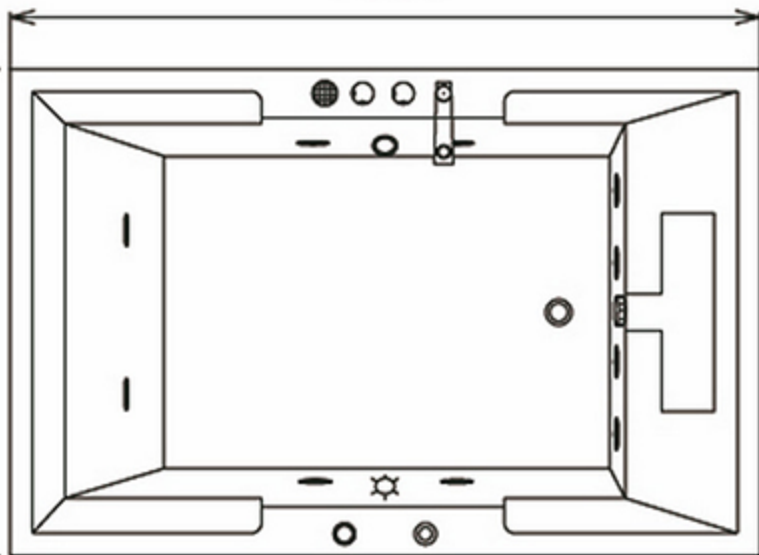
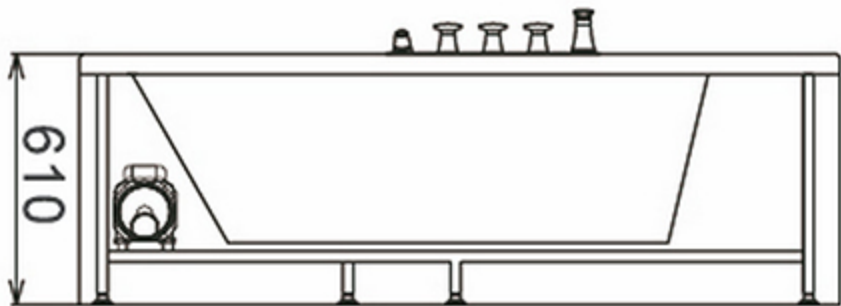
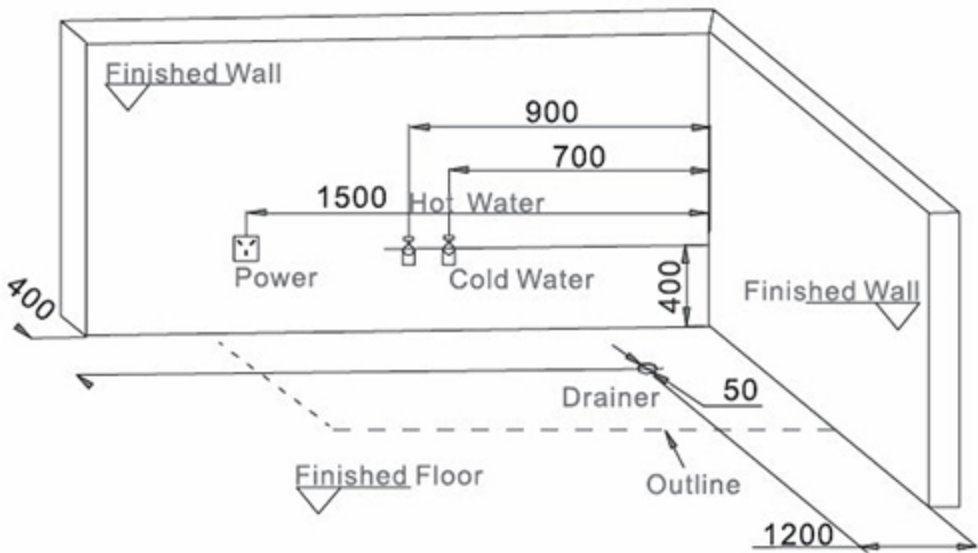


1850

1210







<b>G9229</b>				
<b>SN</b>	<b>Item</b>	<b>Data</b>	<b>Unit</b>	<b>Remark</b>
1	Gross Weight	156	Kg	
2	Net Weight	96	Kg	
3	Water Capacity	0.6	M <sup>3</sup>	
4	Time to fully fill water	22	Min	Time calculated by water inlet with 3 Kg water pressure
5	Rated Voltage	AC220V±10 AC110V±10	Voltage	Electrical Parameters
	Rated Frequency	50-60	Hz	
6	Product Size	1850*1215*610	mm	
7	Carton Size	1875*1235*750	mm	Without Wooden Frame
8	Packaging Size	1955*1315*830	mm	With Wooden Frame

<b>G9229B</b>			
<b>SN</b>	<b>Spear Part</b>	<b>Model and Description</b>	<b>Qty</b>
1	Faucet	Elegant Faucet Kit	1
2	Water Pump	1.5 HP	1
3	Nozzle	Adjustive	10
4	Air Swith	Round-shape	1
5	Air Adjustor	Round-shape	1
6	Drain	Copper Drain	1
7	Underwater Lamp	3W LED	1
8	Pillow	PU Material	1
9	Pipe Cleaning		1

**G9229B**

<b>SN</b>	<b>Spear Part</b>	<b>Model and Description</b>	<b>Qty</b>
1	Faucet	Elegant Faucet Kit	1
2	Water Pump	1.5 HP	1
3	Nozzle	Adjustive	10
4	Air Swith	Round-shape	1
5	Air Adjustor	Round-shape	1
6	Drain	Copper Drain	1

7	Underwater Lamp	3W LED	1
8	Pillow	PU Material	1
9	Pipe Cleaning		1