

PATERSON

NEW ZEALAND 1955



SCHWAB

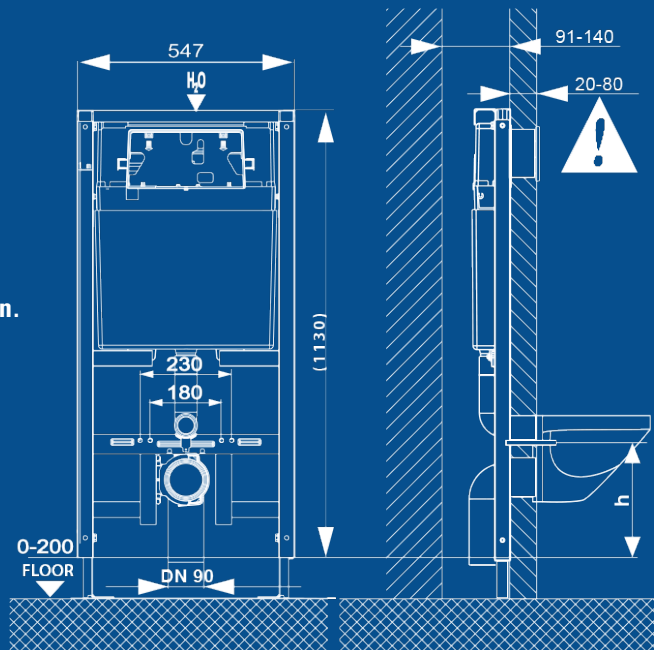
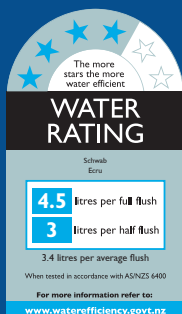
GERMANY 1911



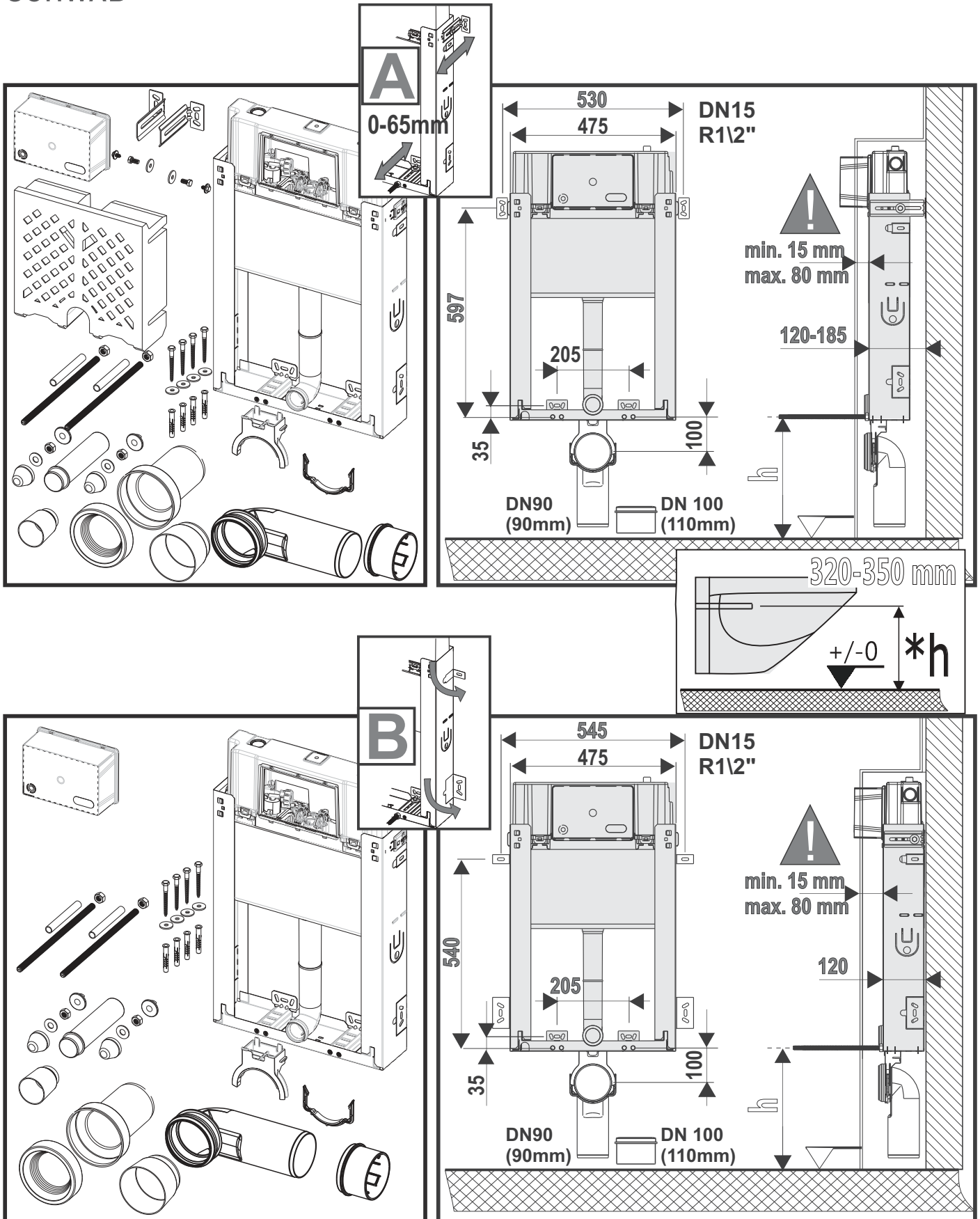
SCHWAB 198 SLIM INWALL CISTERN

Self supporting, preassembled, powder coated WC inwall framed cistern.
Front activation dual flush.
Adjustable galvanised support leg range 0-200mm.
Quiet fill, insulated for both noise and condensation.
10 year warranty.
See attached page for the range of push plates.
Made in the E.U.

Product Code: 398908



INSTALLATION NOTE: The weight of a wall hung toilet pan can damage or crush the wall lining if plaster board is used. Therefore it is imperative that wall hung pans must only be installed against a non-compressible wall lining such as tiles or other cement based products.

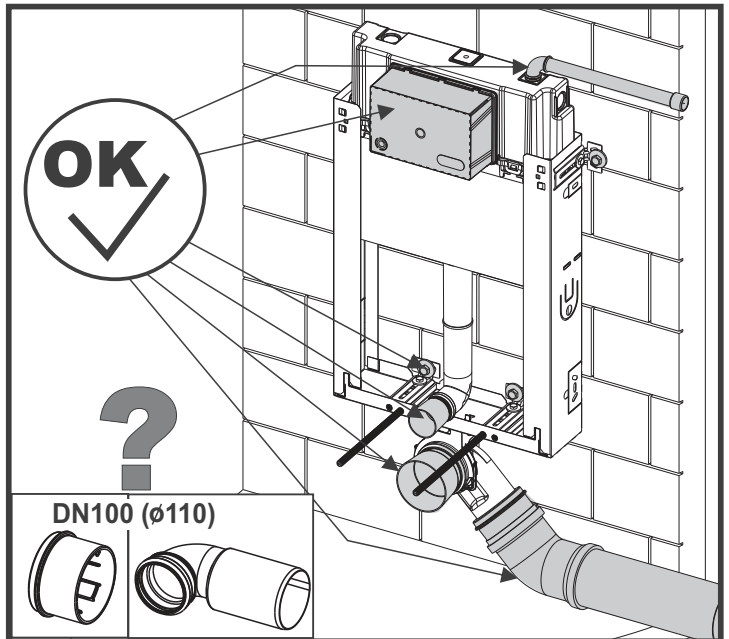
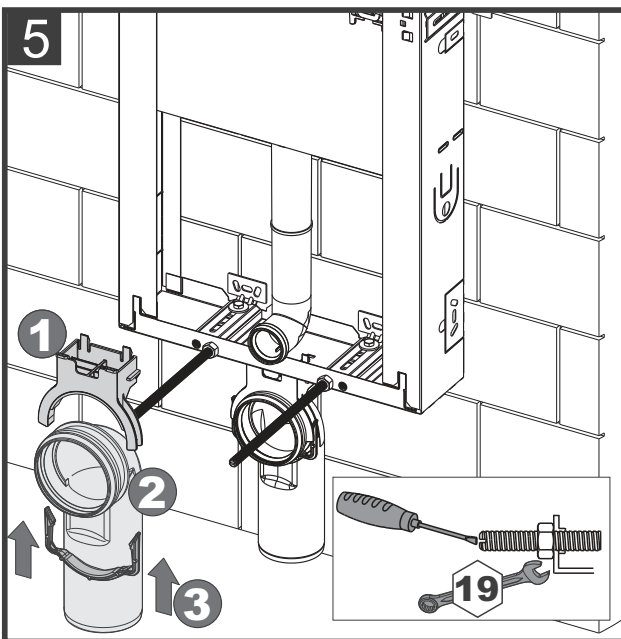
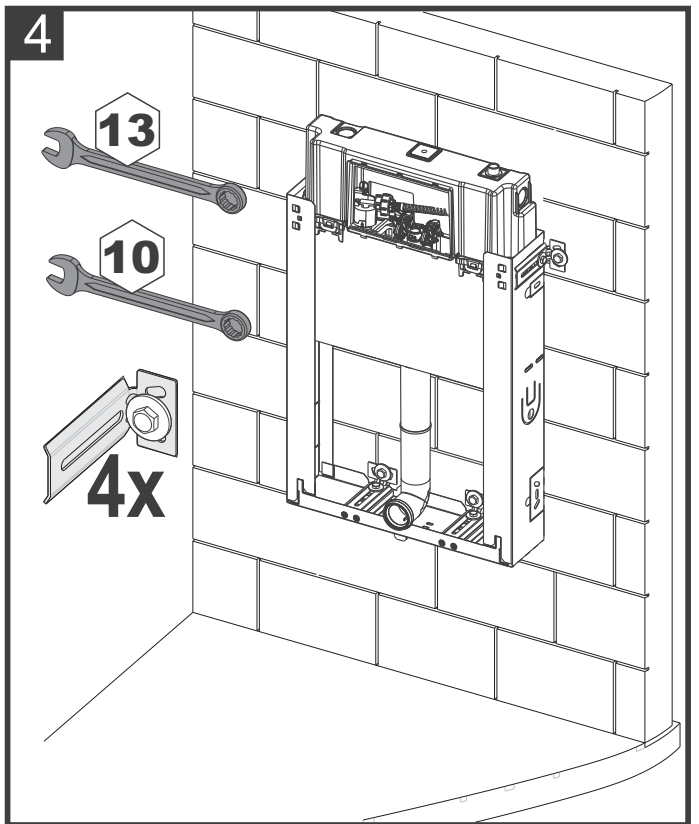
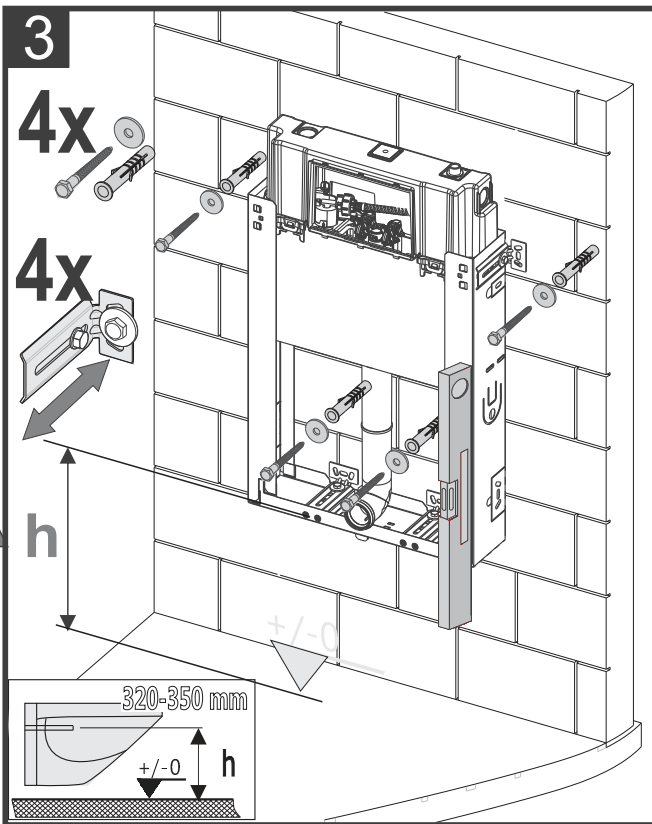
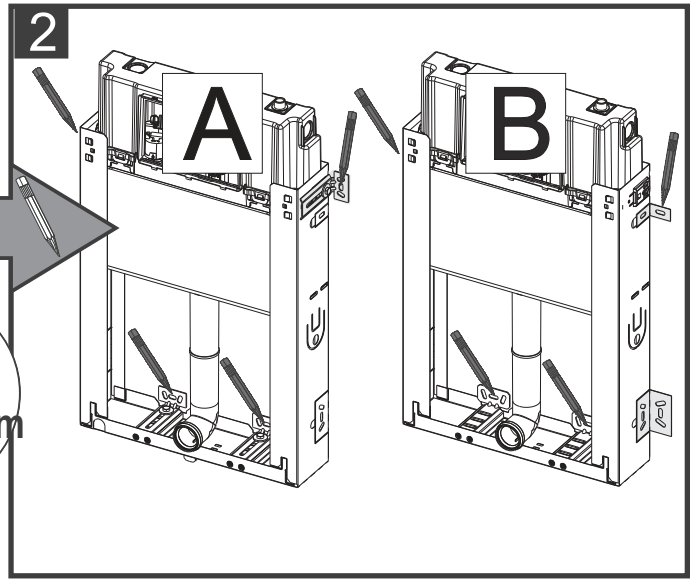
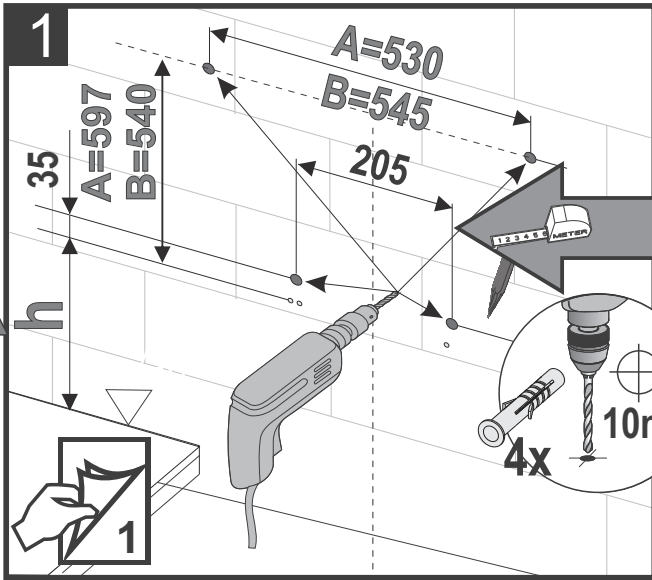


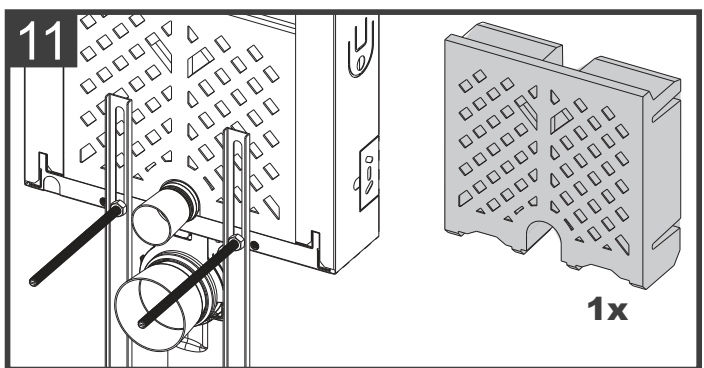
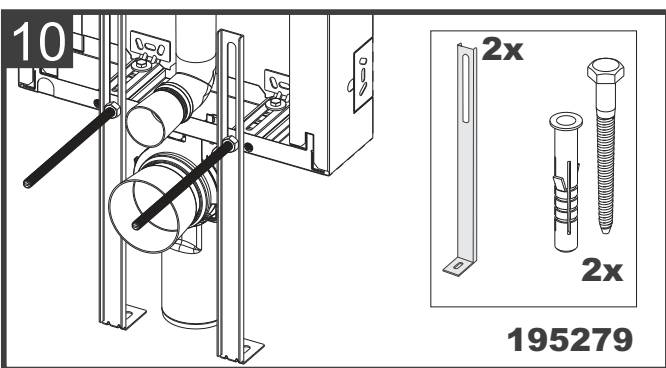
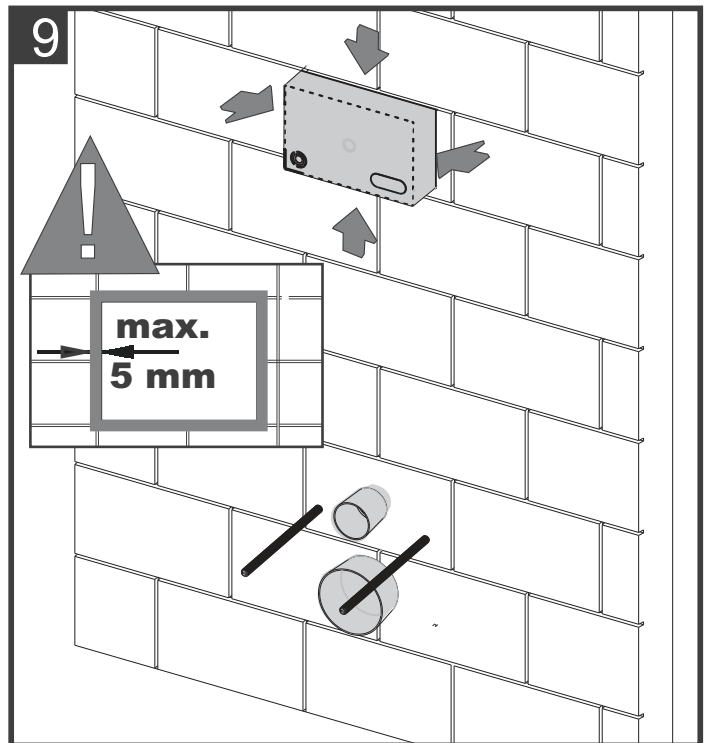
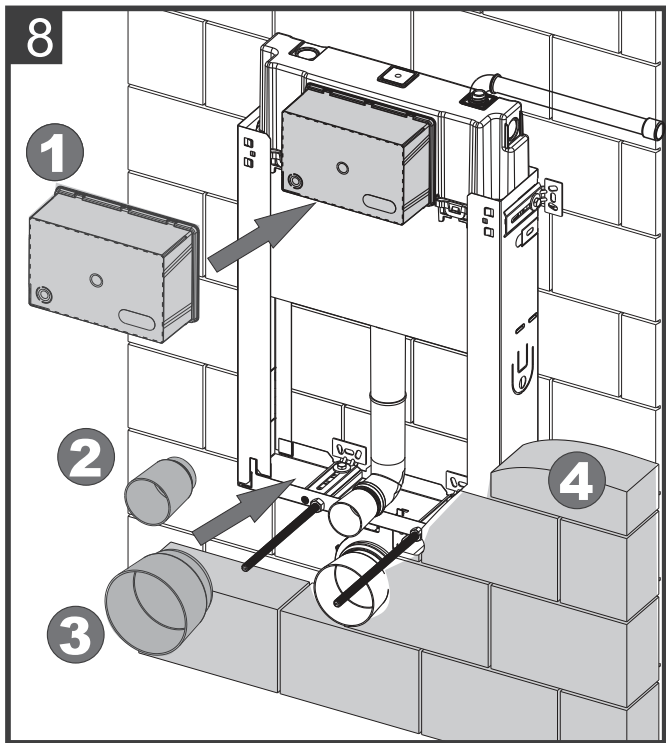
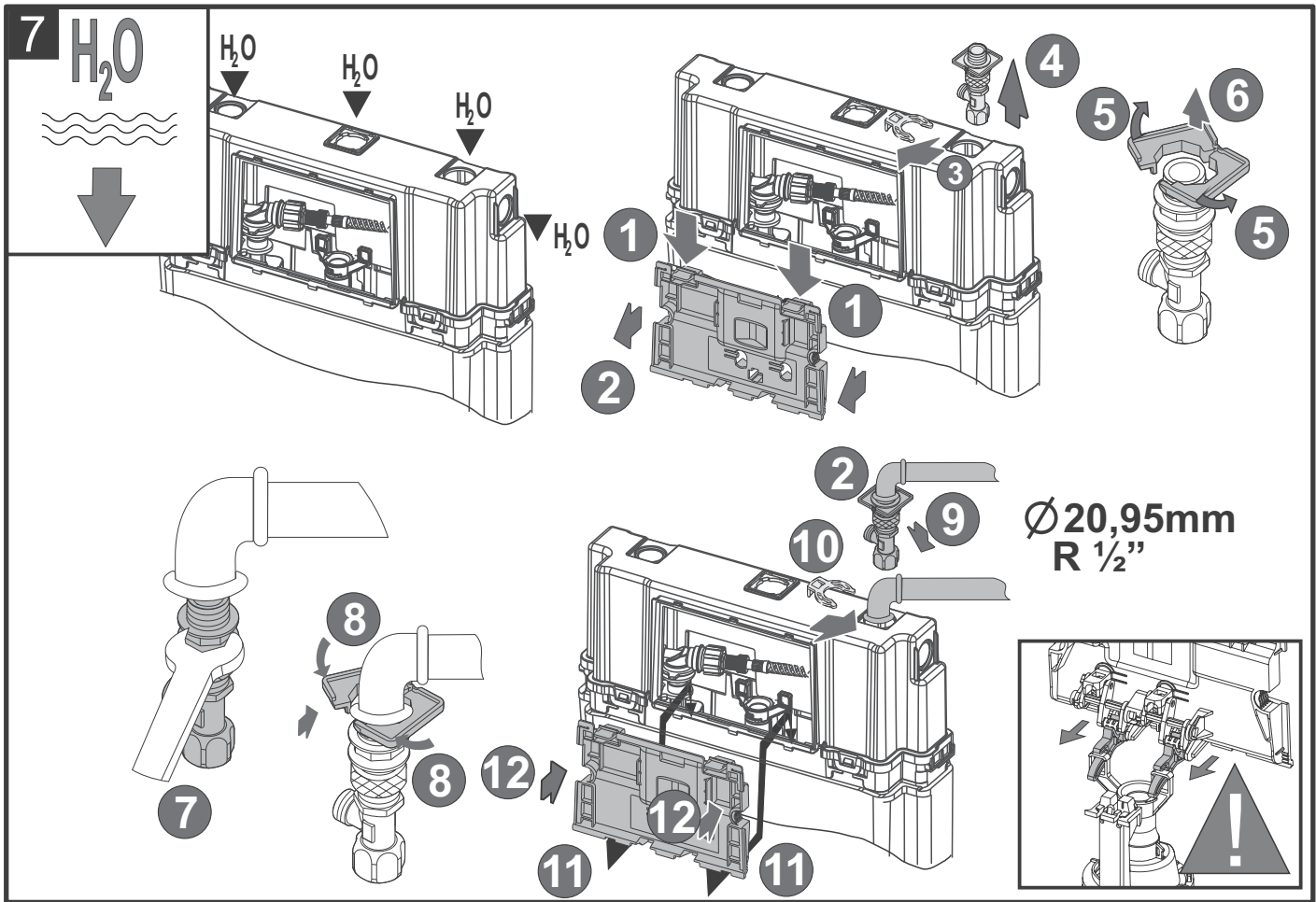
Montagehöhe h mit Keramik und Nutzerwünschen abstimmen .

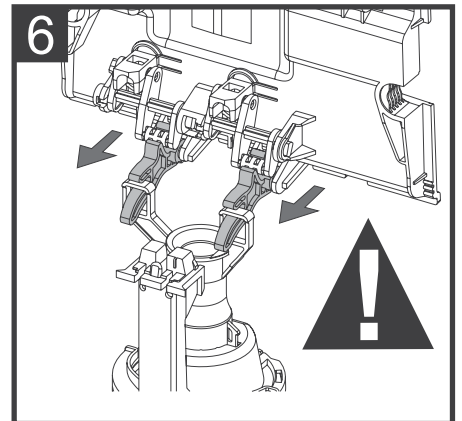
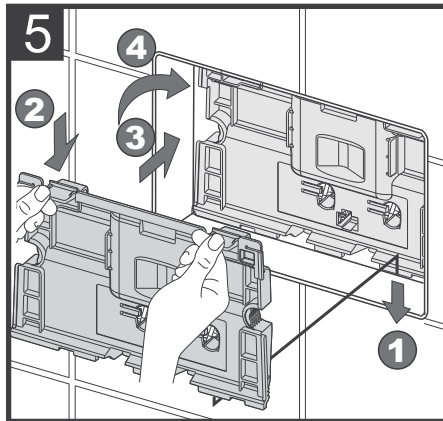
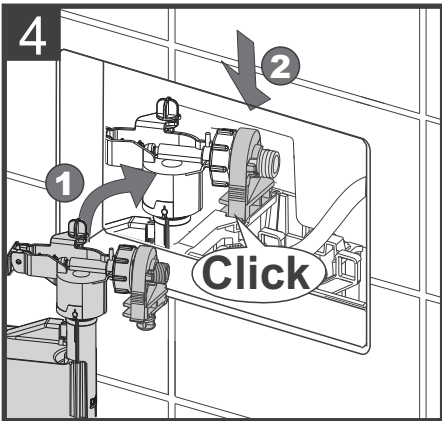
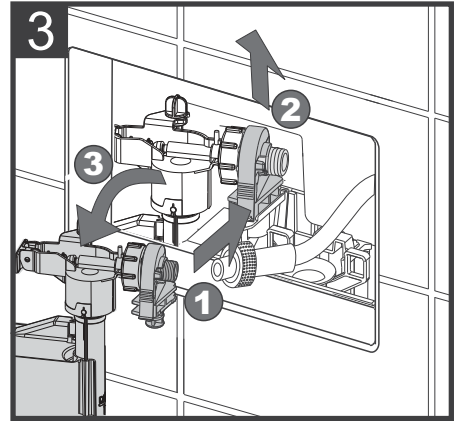
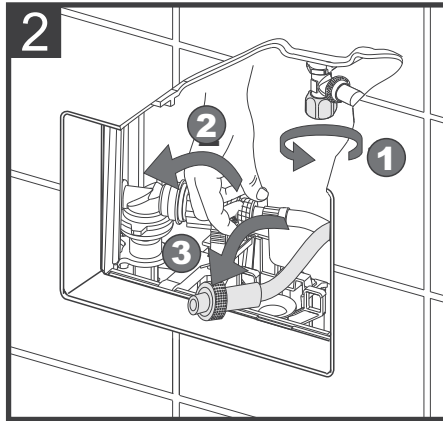
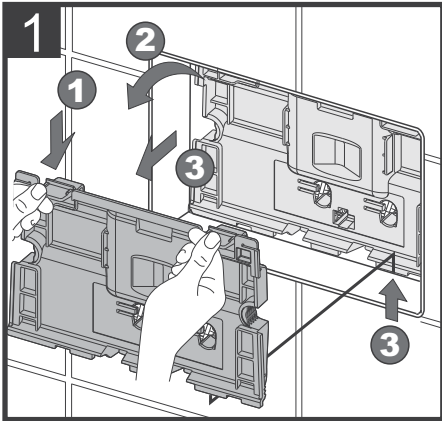
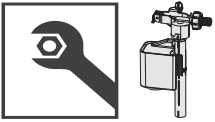
Mounting height h has to be set individually according to mounting situation and user request.

La hauteur de montage h doit être réglée individuellement en fonction de la situation de montage et demande de l'utilisateur.

L'altezza di montaggio deve essere impostata individualmente durante la fase di montaggio e su richiesta dell'utente.







5L ← 6L → 7L 3L → 4L ~~5L/4L~~

