

Product data sheet



Information

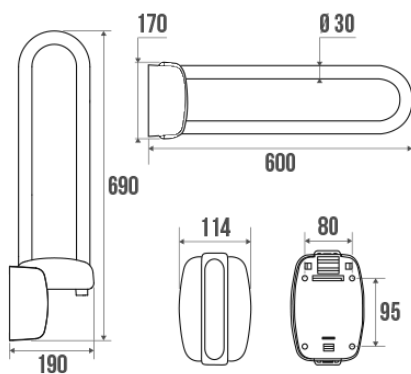
Designation	Hinged bar, 600 mm, White Epoxy-coated Aluminium, tube Ø 30 mm
Reference	048860



Product advantages

- + Raised position locking.
- + Reinforced aluminium tube.
- + Help to get up and stand.
- + Concealed fixings.

Description



White epoxy-coated aluminium tube Ø 30 mm.
Synthetic resin flange.
Vertical locking.

Technical characteristics

Material	Aluminium
Finish	Epoxy-coated
Color	White
Dimensions	600 mm
Diameter Ø	30 mm
Gross weight	1.980 kg
Packaging	Printed Cardboard box
CE Marking : safe load	150 kg
Laboratory tests	225 kg
Guarantee	10 years

Gencod	3563390488607
Custom code	7615200000
Technical sheet	A48860825_IND_01

Fixing and maintenance advices

Recommended height for the horizontal part : 800 mm from the ground. Hinged bars provide support and added safety if properly fitted in accordance with our technical instructions. Careful consideration and selection of the appropriate wall fixings according to the wall-mounted support is required to ensure the long life of your accessory. The use of stainless steel screws (Ø 4 mm) is highly recommended to prevent corrosion in damp environment. Before drilling, physically hold the product against the wall at desired position and mark the hole locations. All the fixing points must be respected. After installation and before use, make sure that all fixing screws are tightened securely. DO NOT use the hinged bar as a step. DO NOT sit on or hang from the grab bar. On wall not strong enough, 3 solutions: the free-standing pole ref: 048400, the support prop ref: 048810 or you can also install a backplate behind the wall.

Maintenance

IMPORTANT: To ensure the sustainability of the product and user safety, we recommend using a solution made of mild soap for cleaning. CAUTION: DO NOT USE cleaning products made of: etones, hydrocarbons, acids, bases, esters and ethers. After use of a cleaning product, make a rinsing in the clear water.

Confort of use

Function		Characteristics	
Support	2 / 3	Horizontal	3 / 3
Raising	3 / 3	Vertical	3 / 3
Transfer	3 / 3	Corrosion resistant	3 / 3

Type of Use		Location of Use	
Shower	3 / 3	Medical facilities	3 / 3
Toilet	3 / 3	ERP/IOP	2 / 3
Washbasin	1 / 3	Hotels	1 / 3
Cloakroom/Changeroom	1 / 3	Private homes	2 / 3
		Workplaces	2 / 3

Fiche produit mise à jour le : 11/01/2019