

## Product data sheet



### Information

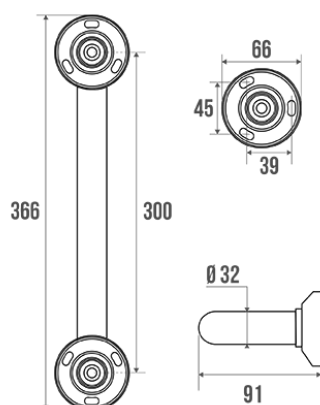
Designation	Straight grab bar, 300 mm, Chrome and nickel-plated Brass, tube Ø 32 mm
Reference	381933



### Product advantages

- + **Concealed fixings.**
- + **Corrosion resistant warranty.**

### Description



Concealed fixings.  
Chrome and nickel-plated brass tube Ø 32 mm.  
Bright chrome-plated resin flanges and cover plates.

Wall fixings included.

### Technical characteristics

Material	Brass
Finish	Chrome and nickel-plated
Dimensions	300 mm
Diameter Ø	32 mm
Gross weight	0.400 kg
Packaging	Plastic protection bag + Hanger for display
CE Marking : safe load	150 kg
Laboratory tests	225 kg
Guarantee	10 years
Gencod	3563393819330
Custom code	7418200090
Technical sheet	<a href="#">A38153201_IND_04</a>

## Fixing and maintenance advices

---

Recommended height for the horizontal part : 800 mm from the ground. Grab bars provide support and added safety if properly fitted in accordance with our technical instructions. Careful consideration and selection of the appropriate wall fixings according to the wall-mounted support is required to ensure the long life of your accessory. The use of stainless steel screws ( $\varnothing$  4 mm) is highly recommended to prevent corrosion in damp environment. Before drilling, physically hold the product against the wall at desired position and mark the hole locations. All the fixing points must be respected. After installation and before use, make sure that all fixing screws are tightened securely. DO NOT use the grab bar as a step. DO NOT sit on or hang from the grab bar.

## Maintenance

**IMPORTANT:** To ensure the sustainability of the product and user safety, we recommend using a solution made of mild soap for cleaning. **CAUTION: DO NOT USE** cleaning products made of: etones, hydrocarbons, acids, bases, esters and ethers. After use of a cleaning product, make a rinsing in the clear water.

## Confort of use

---

Function		Characteristics	
Support	3 / 3	Horizontal	3 / 3
Raising	1 / 3	Vertical	3 / 3
Transfer	1 / 3	Diagonal	3 / 3
		Corrosion resistant	3 / 3

Type of Use		Location of Use	
Bath	1 / 3	Medical facilities	3 / 3
Shower	1 / 3	ERP/IOP	3 / 3
Toilet	1 / 3	Hotels	2 / 3
Cloakroom/Changeroom	3 / 3	Private homes	3 / 3
		Workplaces	3 / 3

Fiche produit mise à jour le : 11/01/2019