

Product data sheet



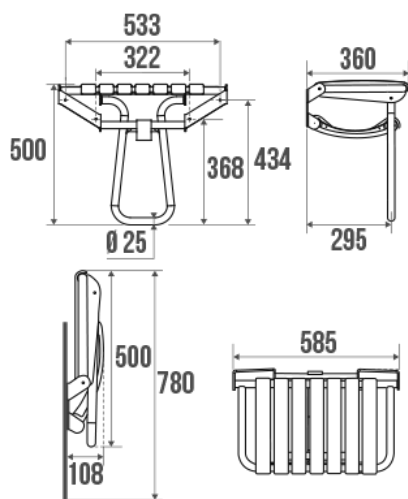
Information

Designation	White foldaway shower seat - Large size
Reference	047632

Product advantages

- + **Maximum safety: with automatic stand.**
- + **Compact in raised position.**
- + **Easy fixing**
- + **Corrosion resistant warranty.**

Description



Large size.
7 white polypropylene slats.
White epoxy-coated aluminium tube.
Enables users to sit down safely and comfortably while showering.

Standard height 500 mm.

Technical characteristics

Material	Aluminium & Polypropylene
Finish	Epoxy-coated
Color	White
Dimensions	360 x 580 x 500 mm
Diameter Ø	25 mm
Gross weight	3.600 kg
Net weight	3.000 kg

Packaging	Cardboard box
CE Marking : safe load	150 kg
Laboratory tests	225 kg
Guarantee	10 years
Gencod	3563390476321
Custom code	7615200000
Technical sheet	A13600811_IND_15
Spare parts	Ref. 047636: pads for shower seat. Ref. 047638: White seat slat. Ref. 047639: Support slat.

Fixing and maintenance advices

Careful consideration and selection of the appropriate wall fixings according to the wall-mounted support is required to ensure the long life of your accessory. The use of stainless steel screws (\varnothing 4 mm) is highly recommended to prevent corrosion in damp environment. Before drilling, physically hold the product against the wall at desired position and mark the hole locations. All the fixing points must be respected. After installation and before use, make sure that all fixing screws are tightened securely. The shower seat provides support and added safety if properly fitted in accordance with our technical instructions. For use in seated position. To guarantee the user safety, DO NOT rise up on the seat. When the seat is raised, DO NOT use it as a grab bar. To avoid any risks of pinching out, DO NOT put your fingers in the mobile parts. The product does not contains any dangerous substance for the health. We disclaim all liability for any personal injury resulting from inappropriate installation or use of this seat.

Maintenance

IMPORTANT: To ensure the sustainability of the product and user safety, we recommend using a solution made of mild soap for cleaning. CAUTION: DO NOT USE cleaning products made of: etones, hydrocarbons, acids, bases, esters and ethers. After use of a cleaning product, make a rinsing in the clear water.

Confort of use

Function		Characteristics	
Rest	3 / 3	Horizontal	3 / 3
		Vertical	3 / 3
		Corrosion resistant	3 / 3
Type of Use		Location of Use	
Shower	3 / 3	Medical facilities	3 / 3
		Cloakroom/Changeroom	3 / 3
		ERP/IOP	3 / 3
		Hotels	2 / 3
		Private homes	3 / 3
		Workplaces	3 / 3

Fiche produit mise à jour le : 11/01/2019