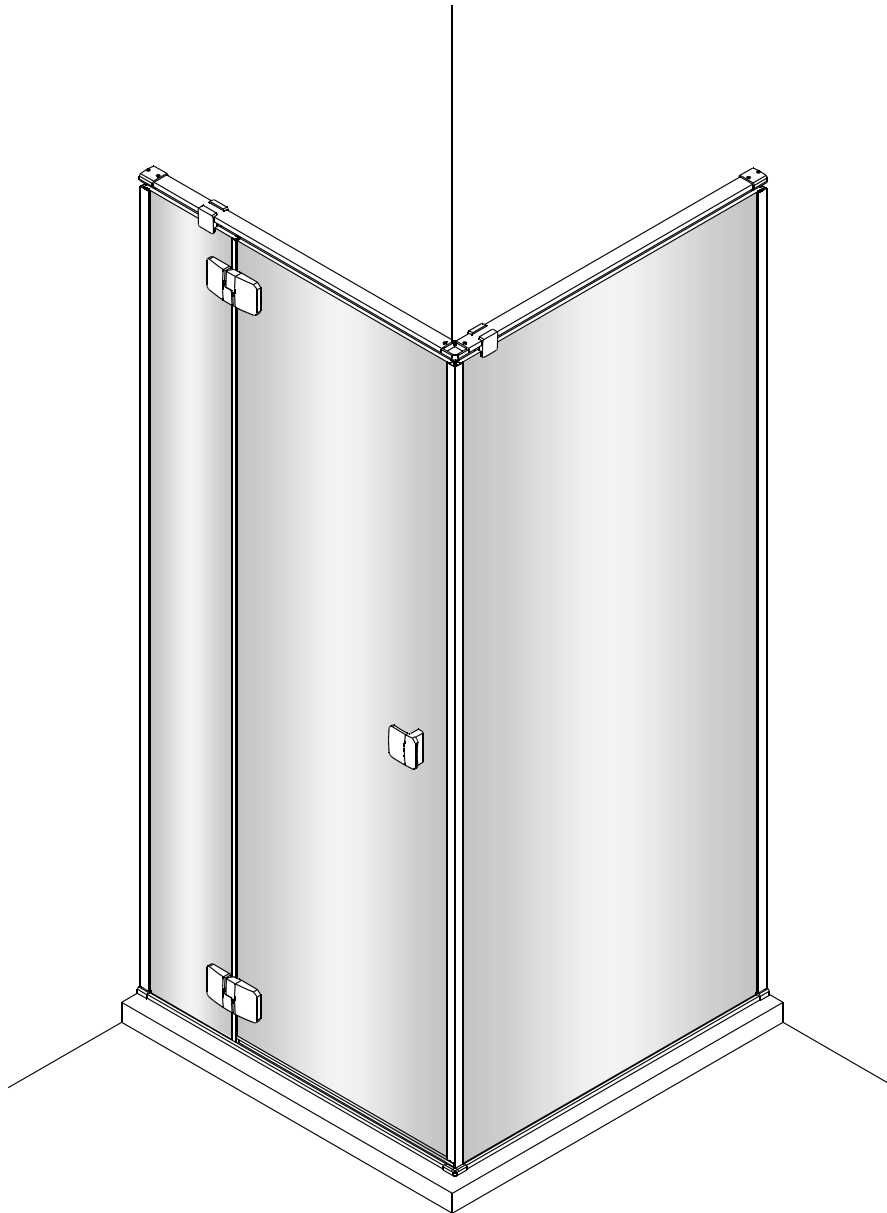
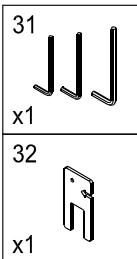
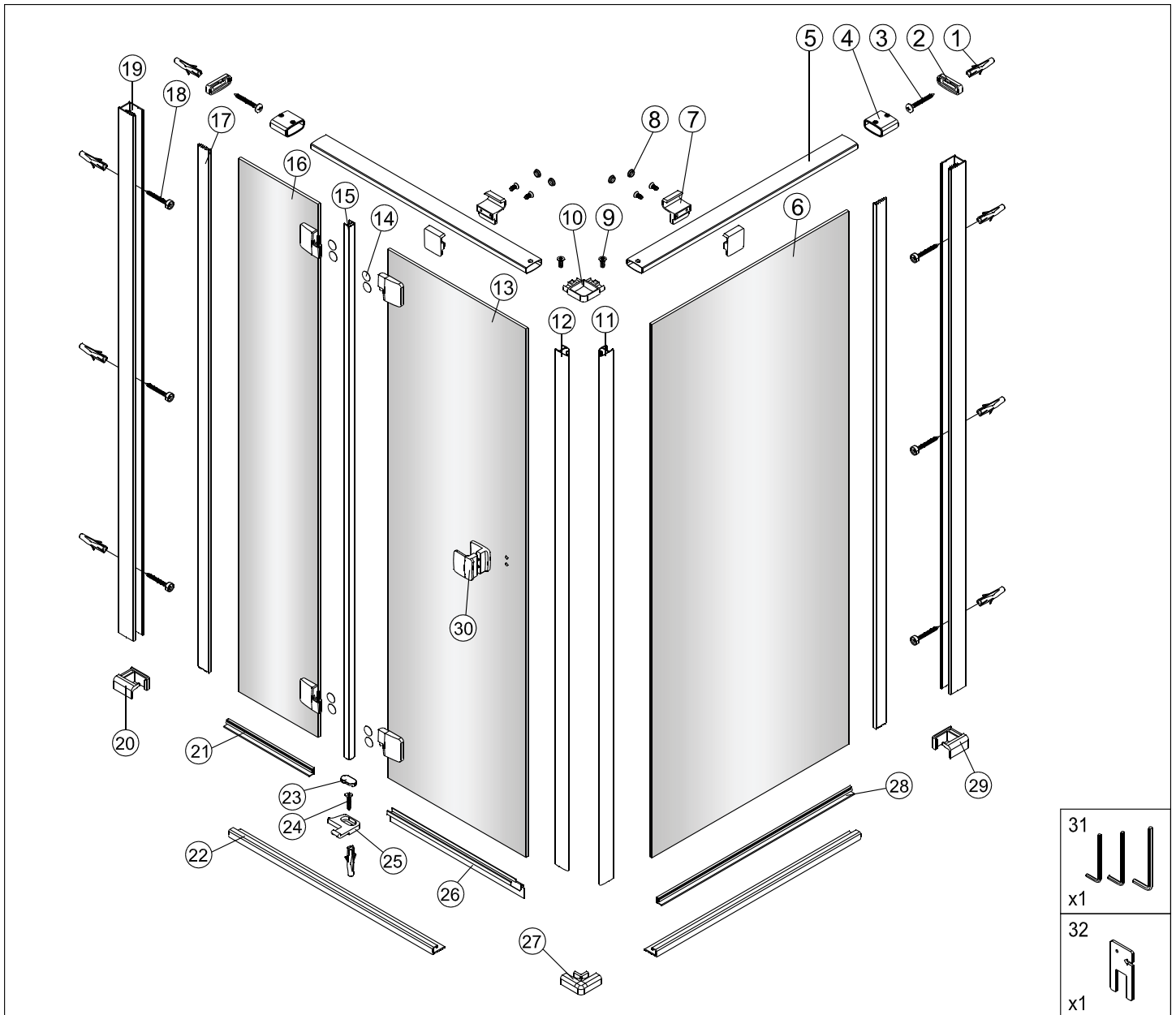









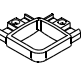
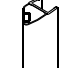
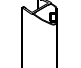


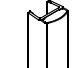



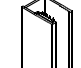
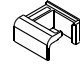





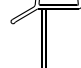
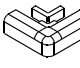

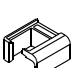


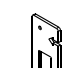
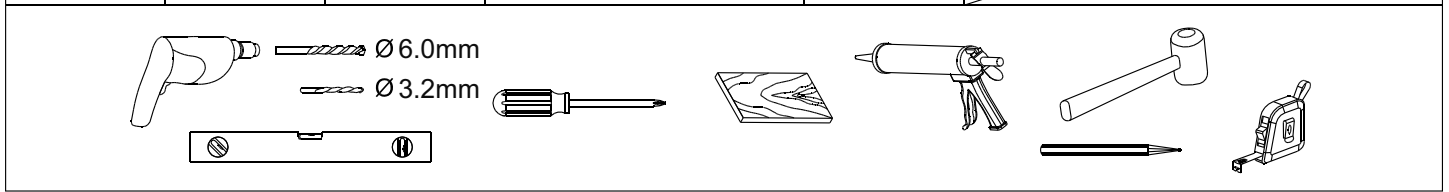


# SDA7-R Instruction Manual

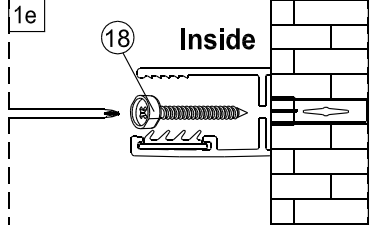
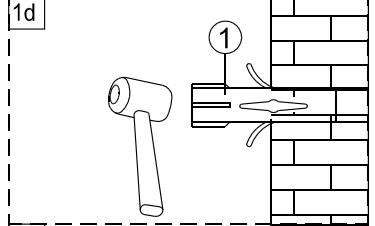
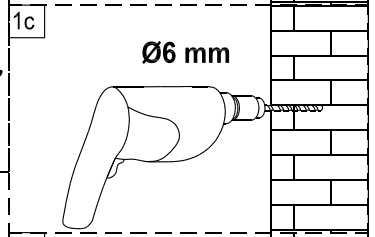
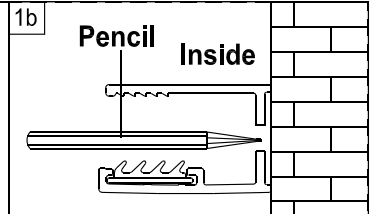
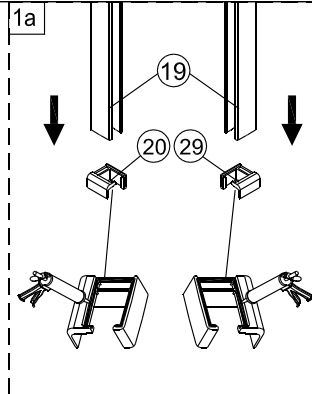
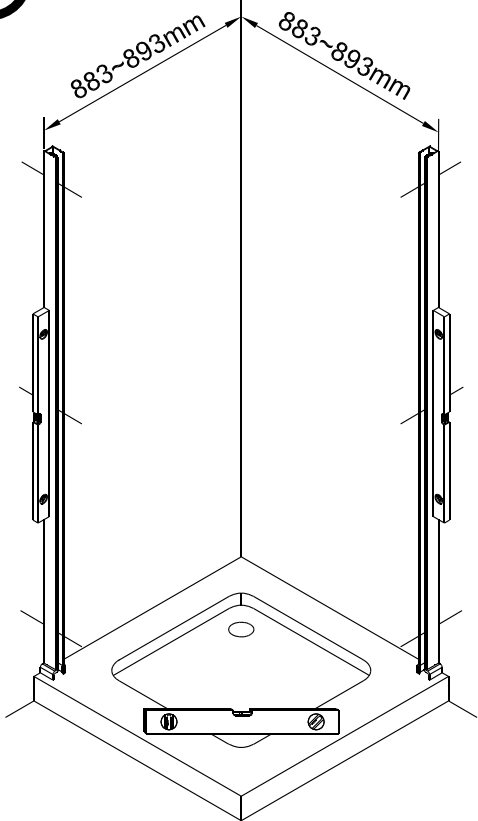




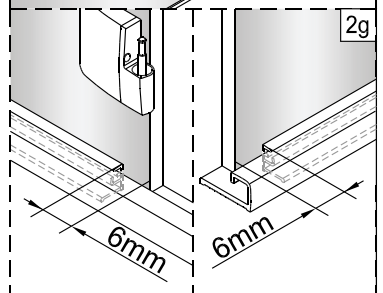
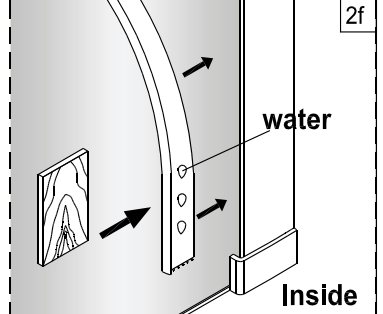
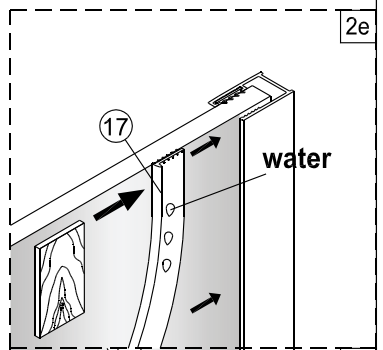
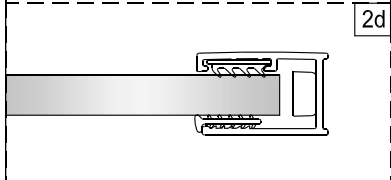
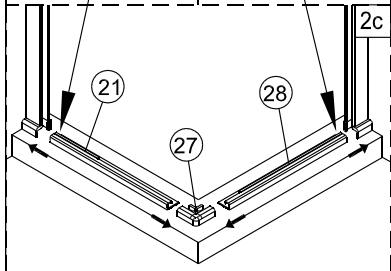
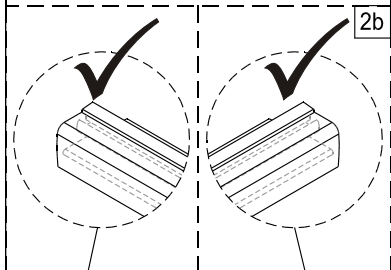
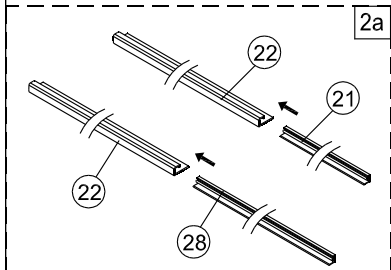
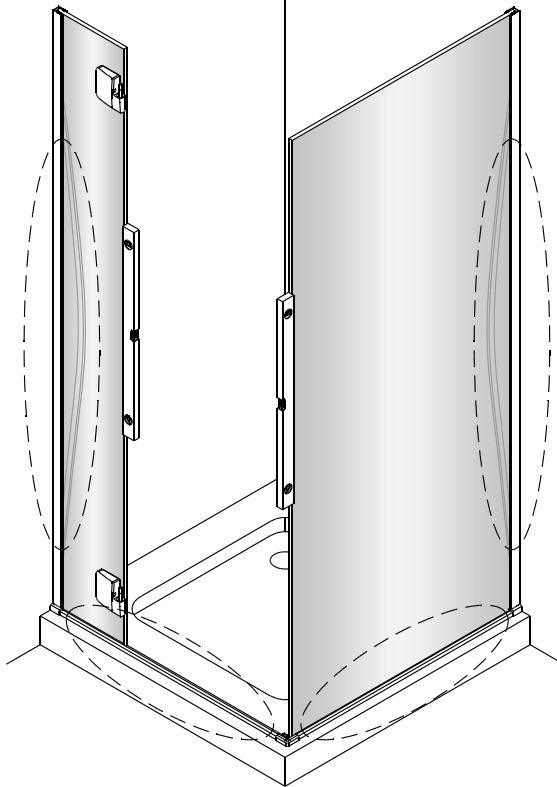
1  x9	2  x2	3  x2 <b>ST4x40</b>	4  x2	5  x2	6  x1	7  x2	8  x4	9  x2 <b>M4x8</b>
10  x1	11  x1 <b>Long</b>	12  x1 <b>Short</b>	13  x1	14  x8	15  x1	16  x1	17  x2	18  x6 <b>ST4x40</b>
19  x2	20  x1	21  x1 <b>Short</b>	22  x2	23  x1	24  x1 <b>ST4x30</b>	25  x1	26  x1	27  x1
28  x1 <b>Long</b>	29  x1	30  x1	31  x1 1.5mm 2.5mm 5mm	32  x1				



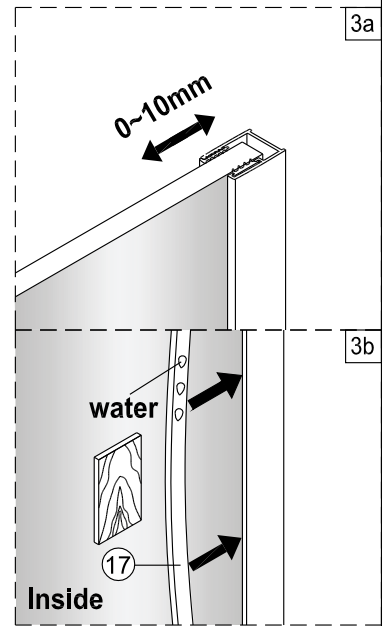
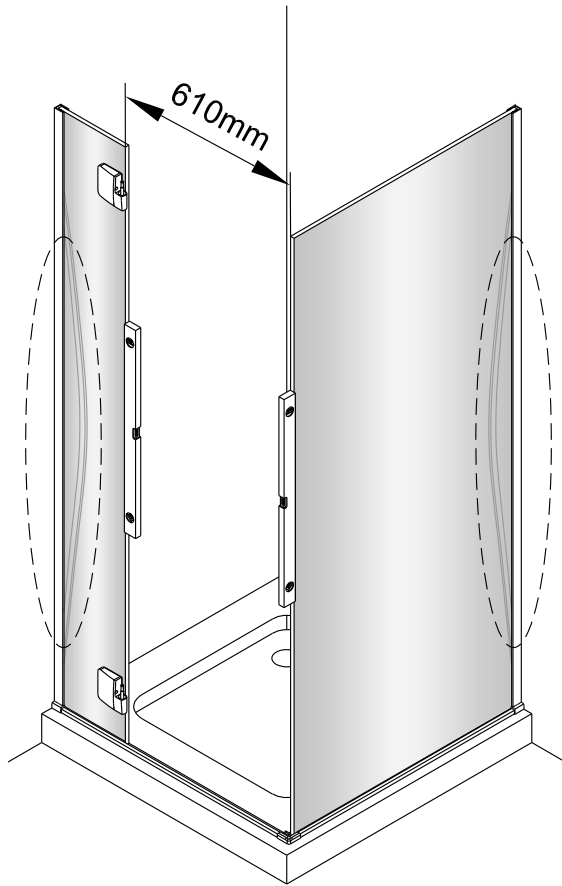
1



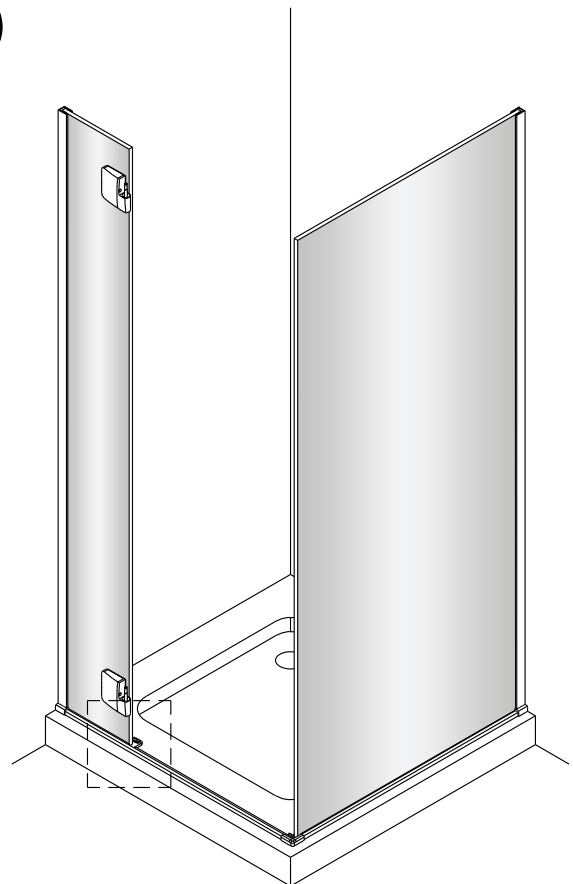
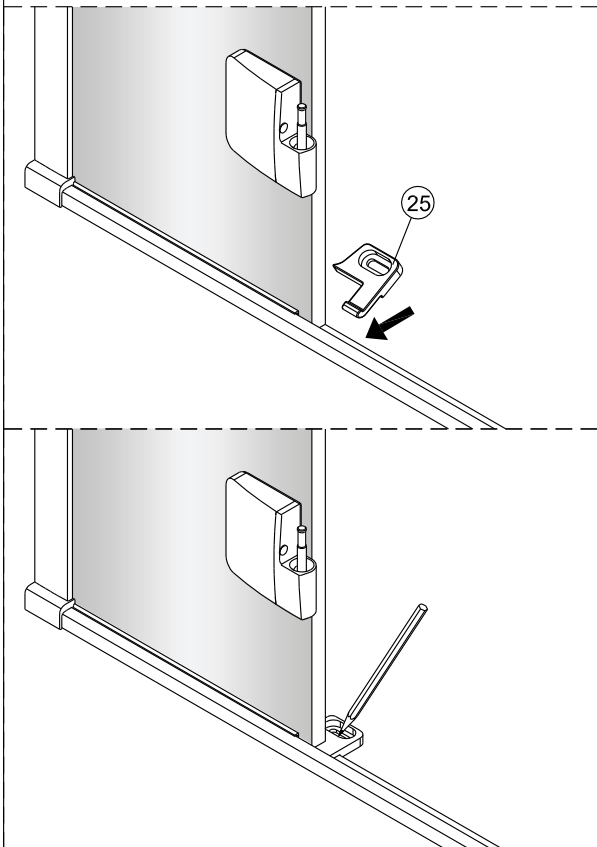
2

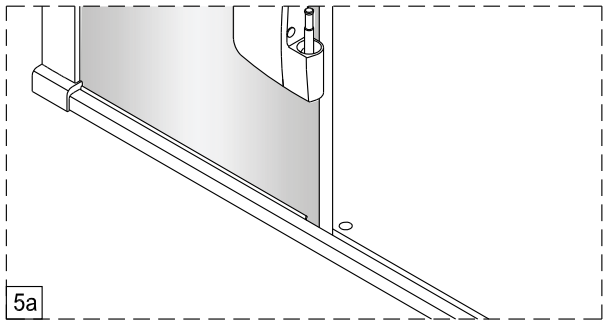


3



4

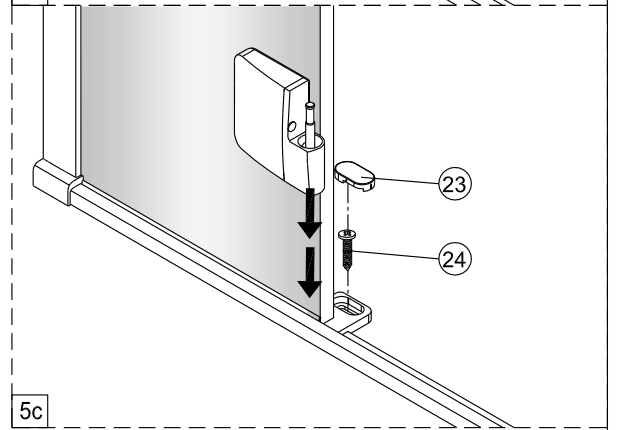
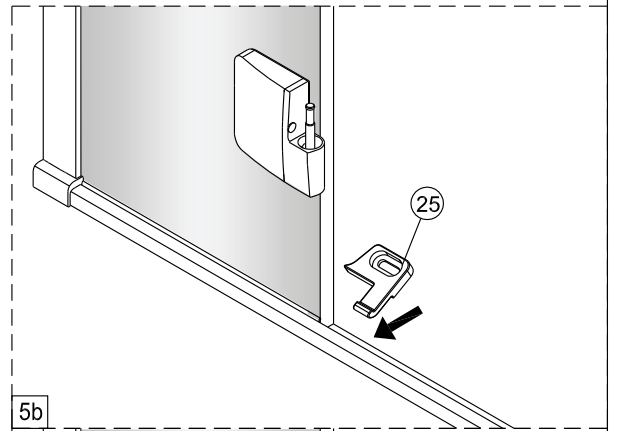
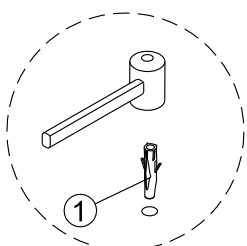
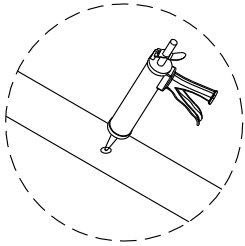
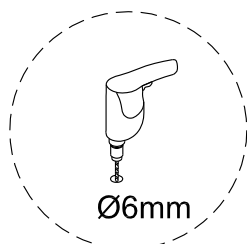
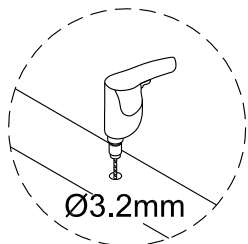




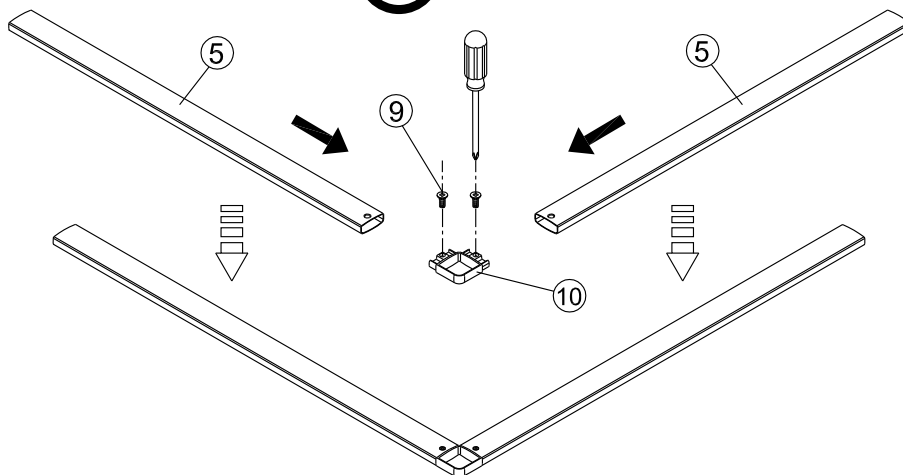
5

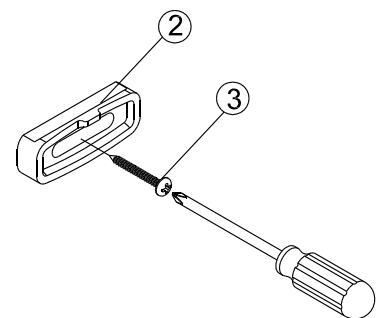
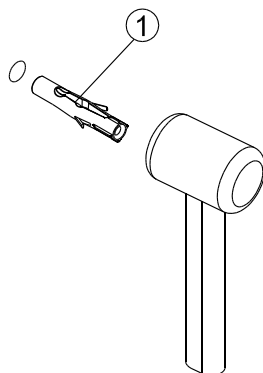
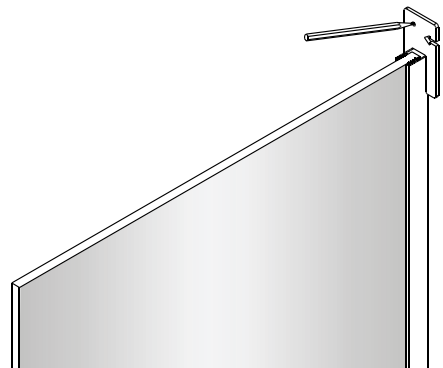
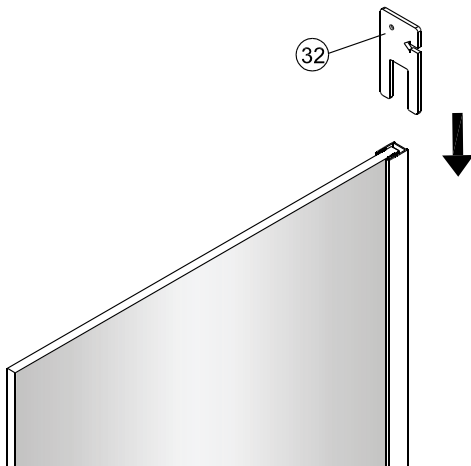
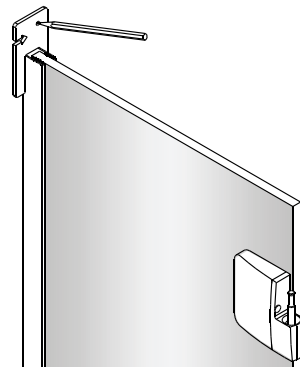
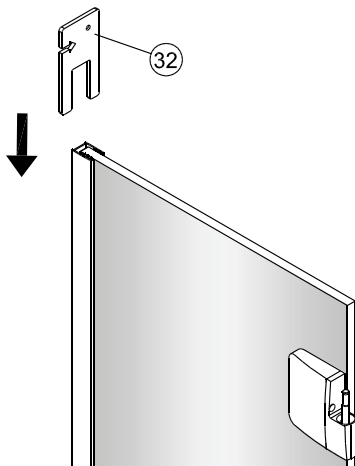
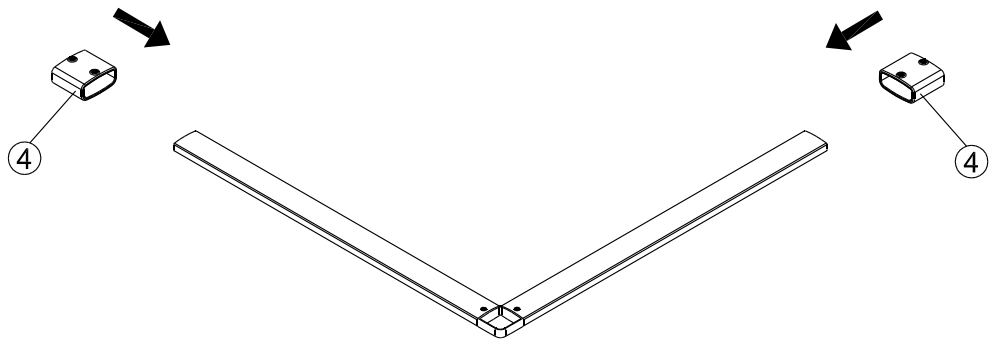
Choice 1:  
on the tray

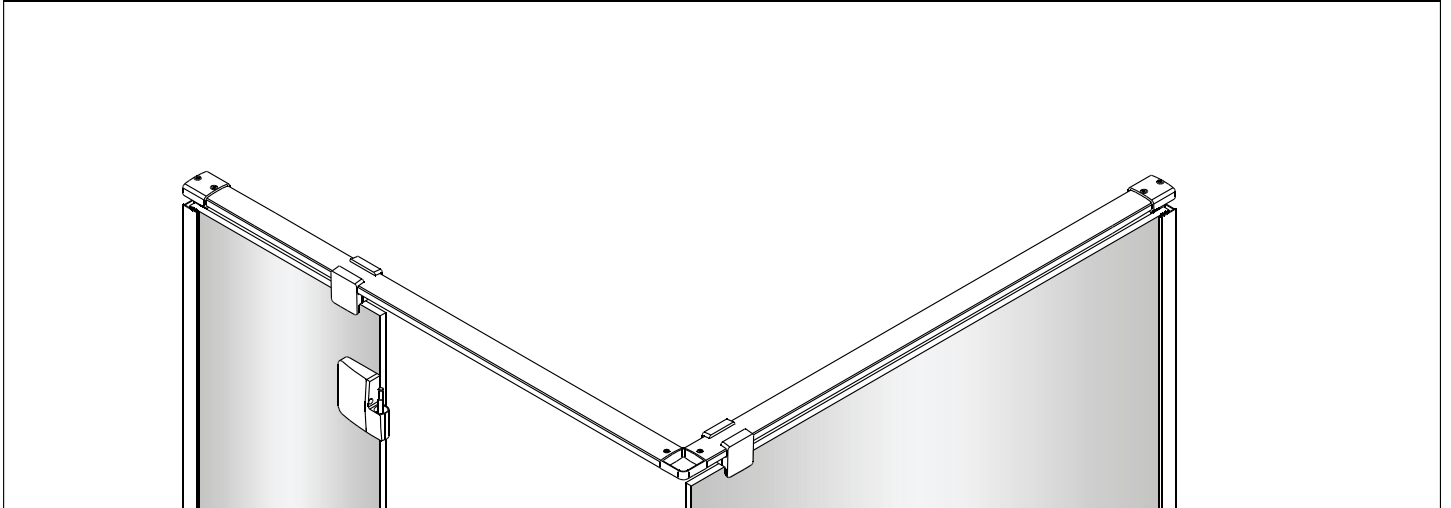
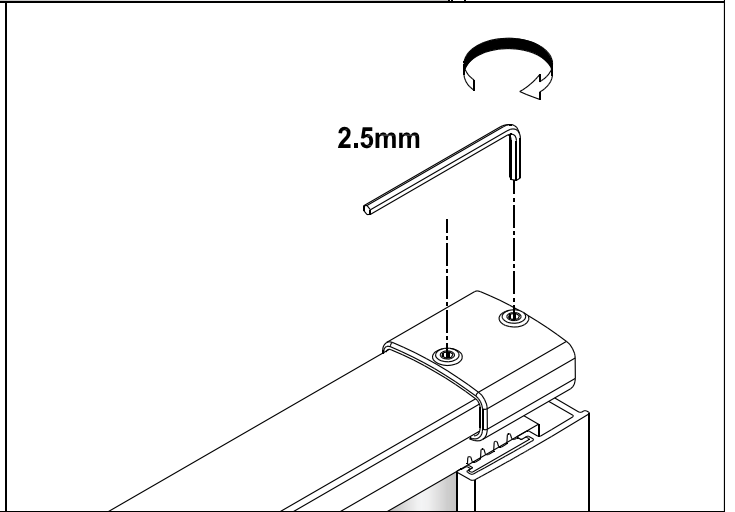
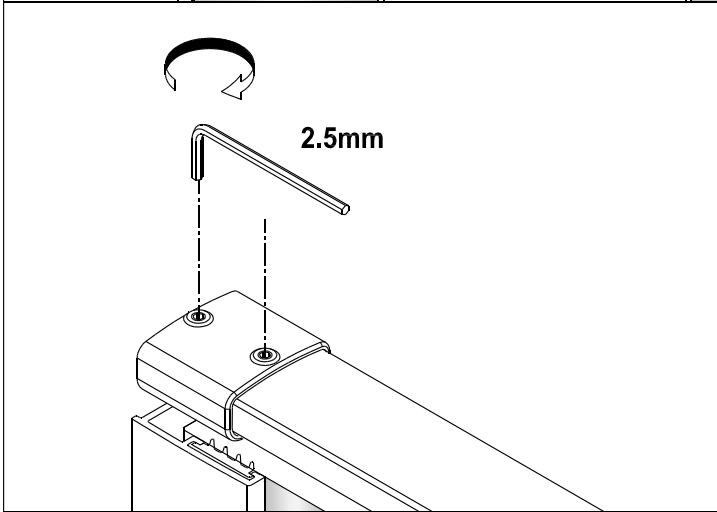
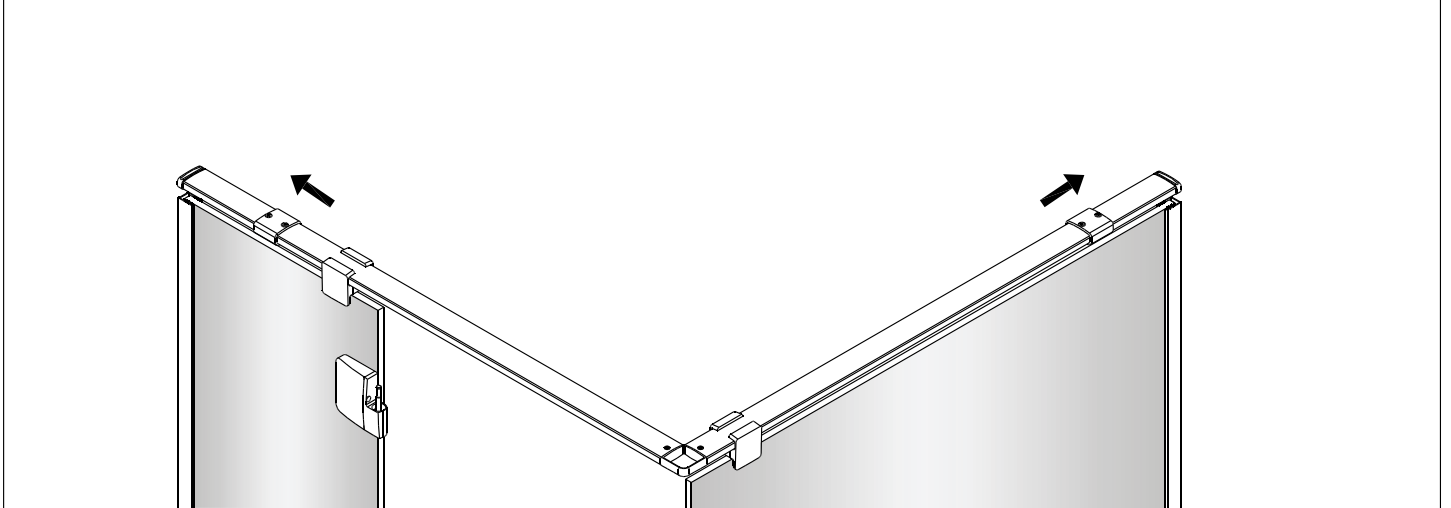
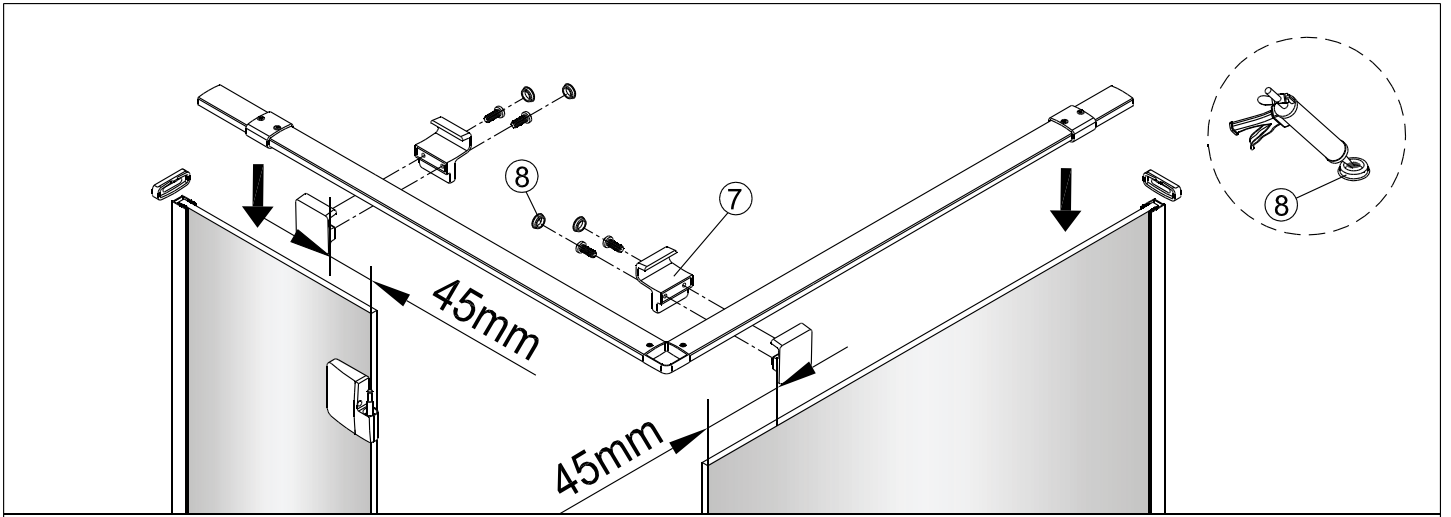
Choice 2:  
on the floor



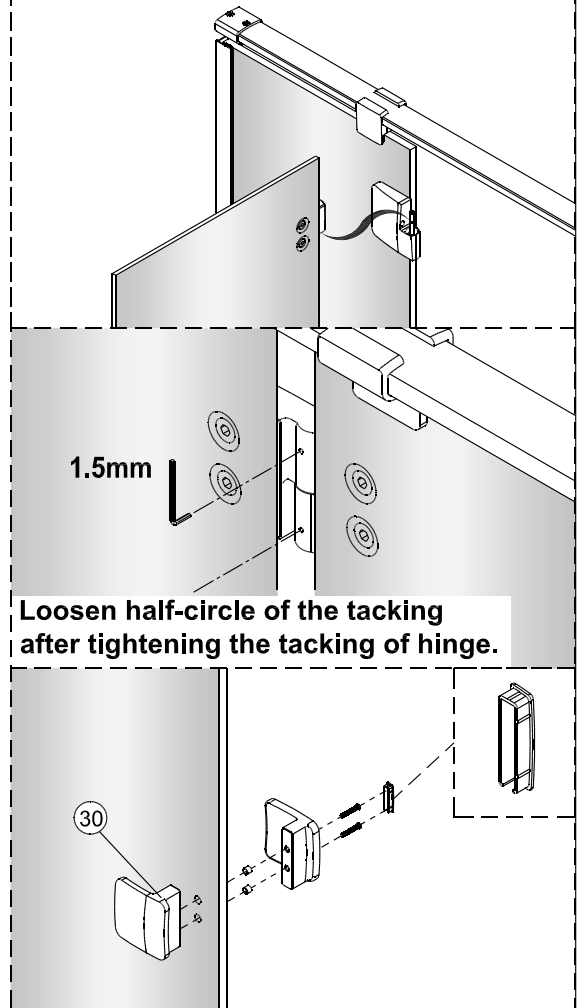
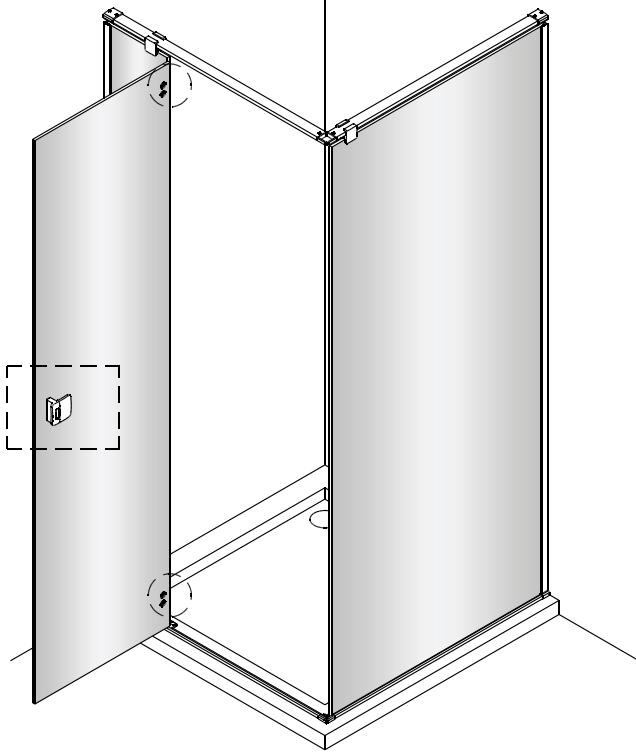
6



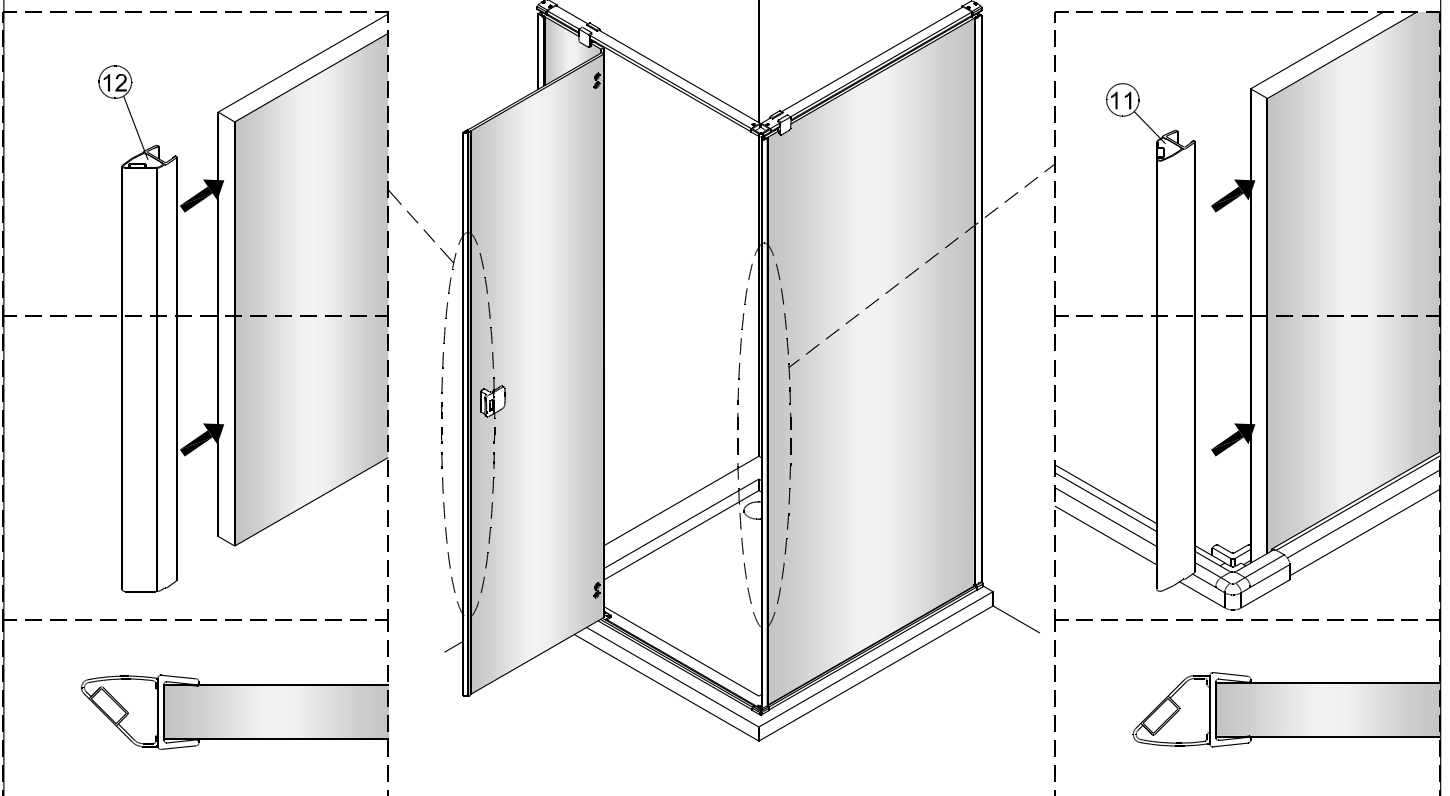




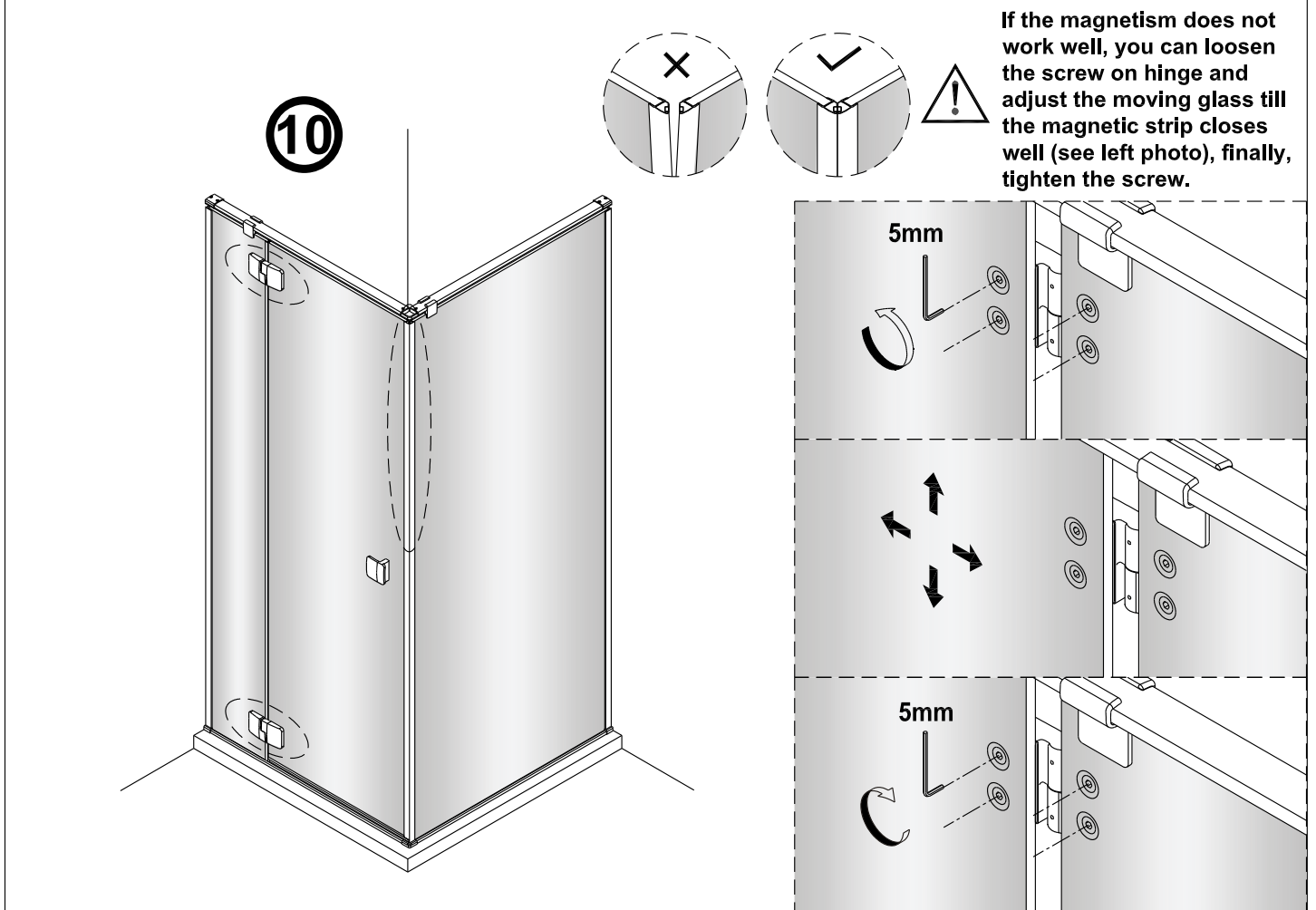
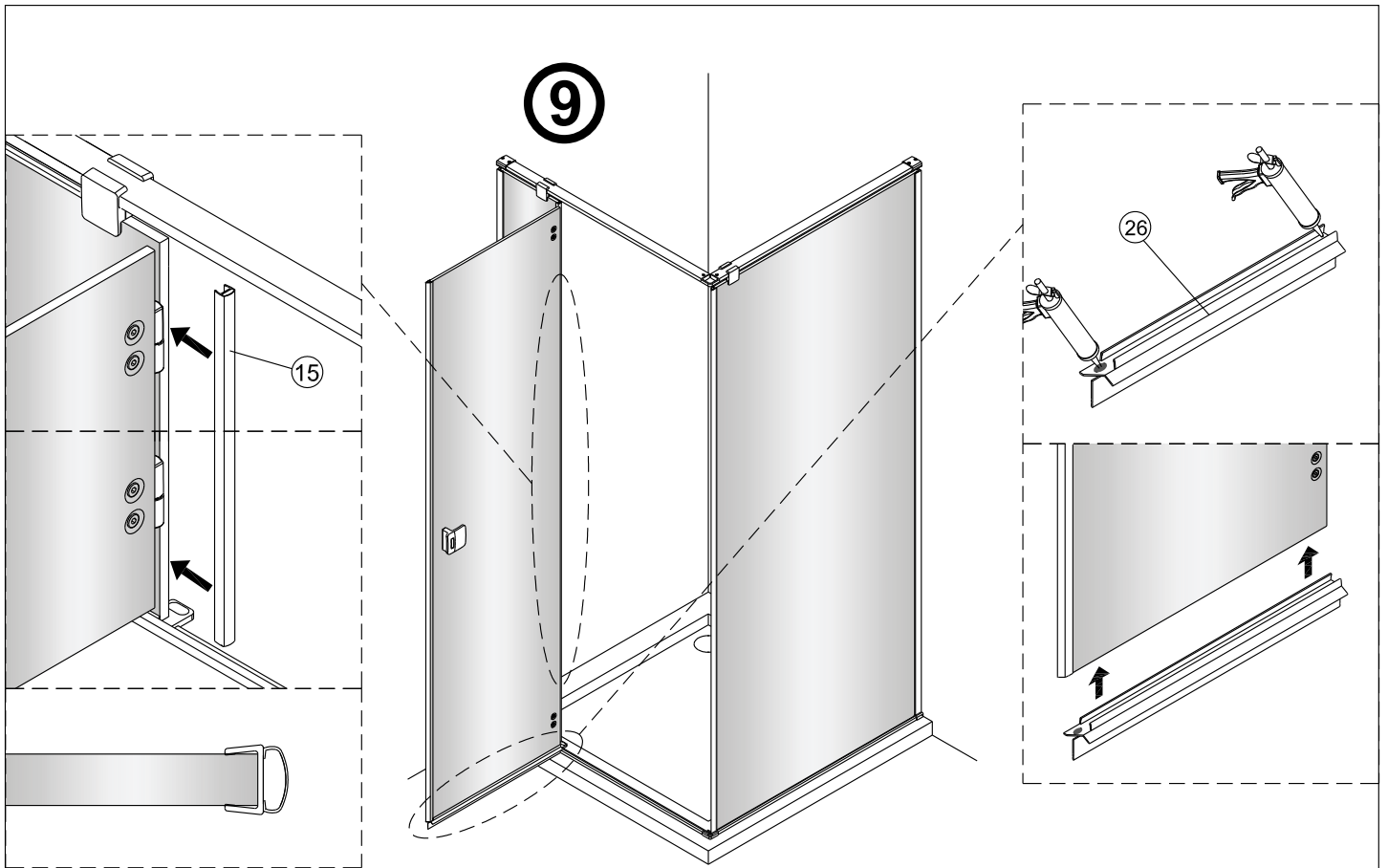
7

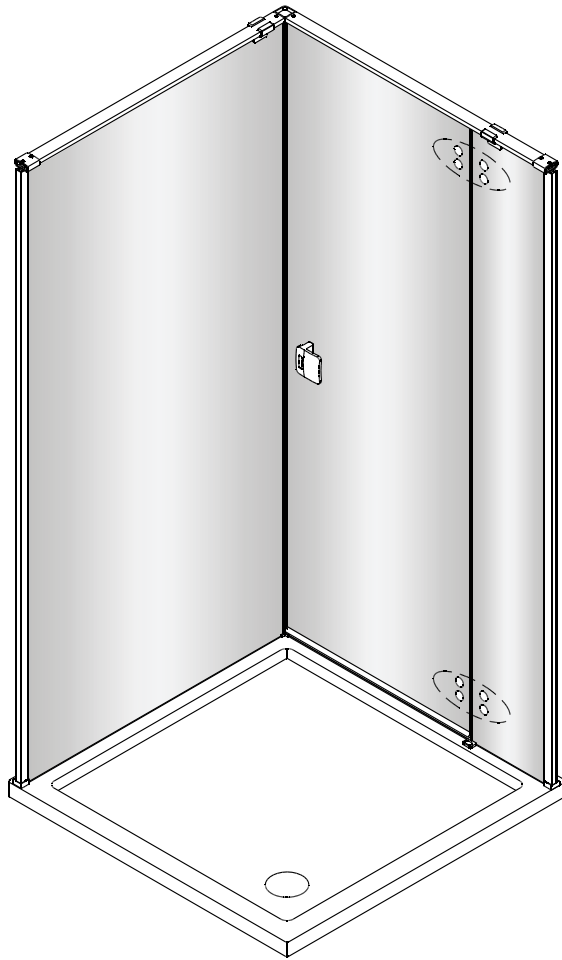


8



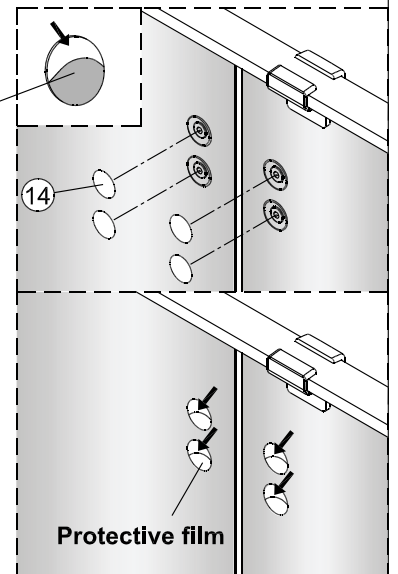




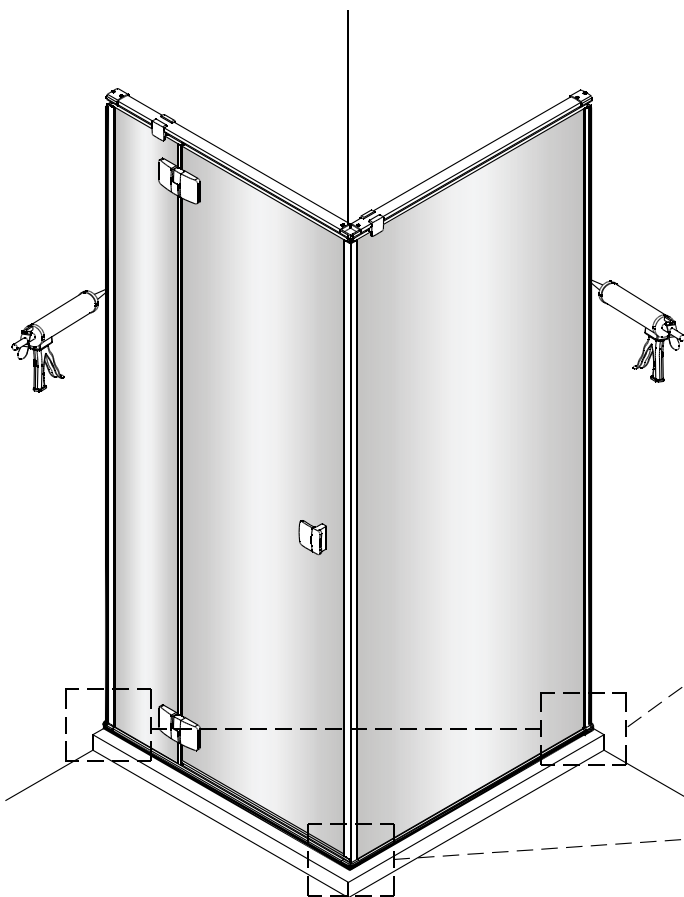


11

Tear the double side tape.



Note: The protective film on cover shall be torn off.



12

