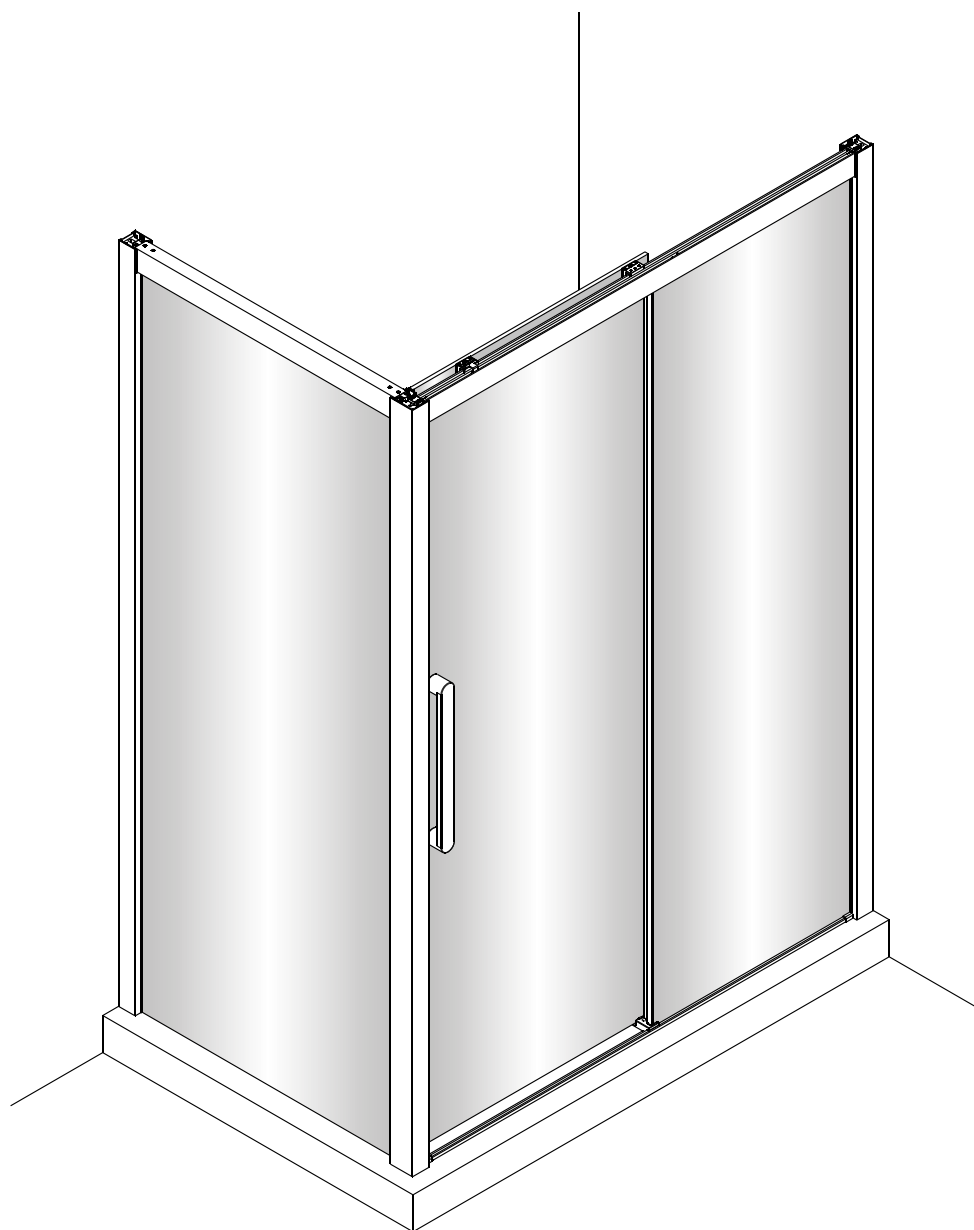
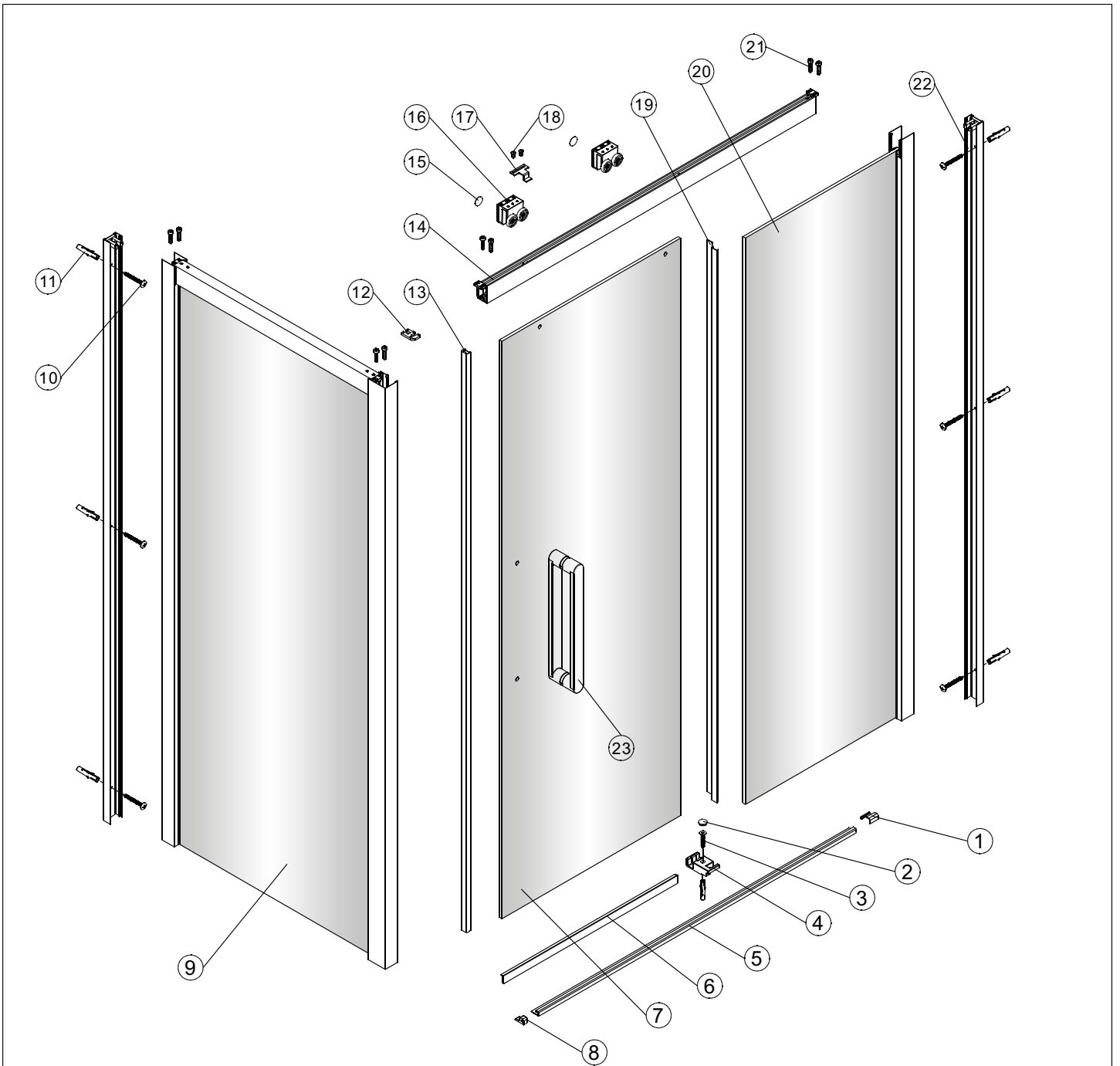
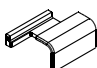


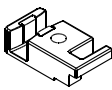
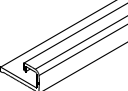
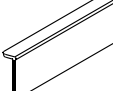
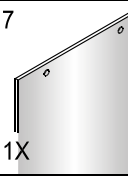

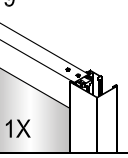
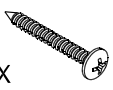

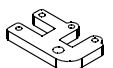
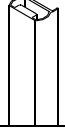
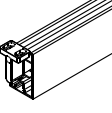

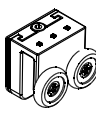
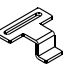

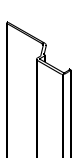
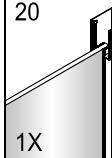

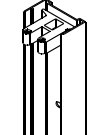
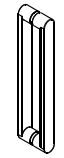
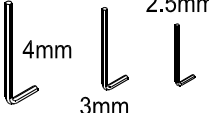

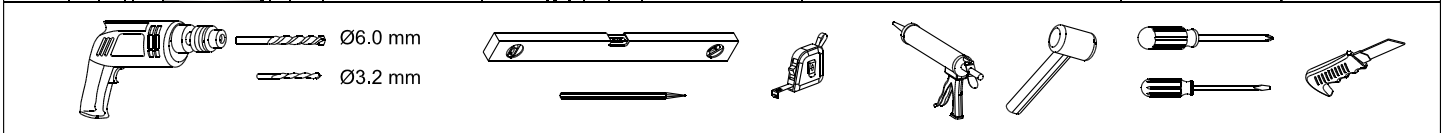


SK2-10L Instruction Manual

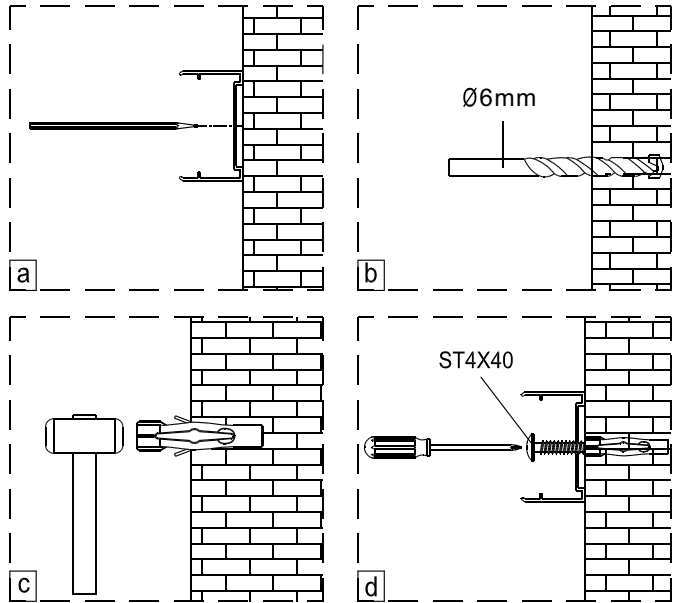
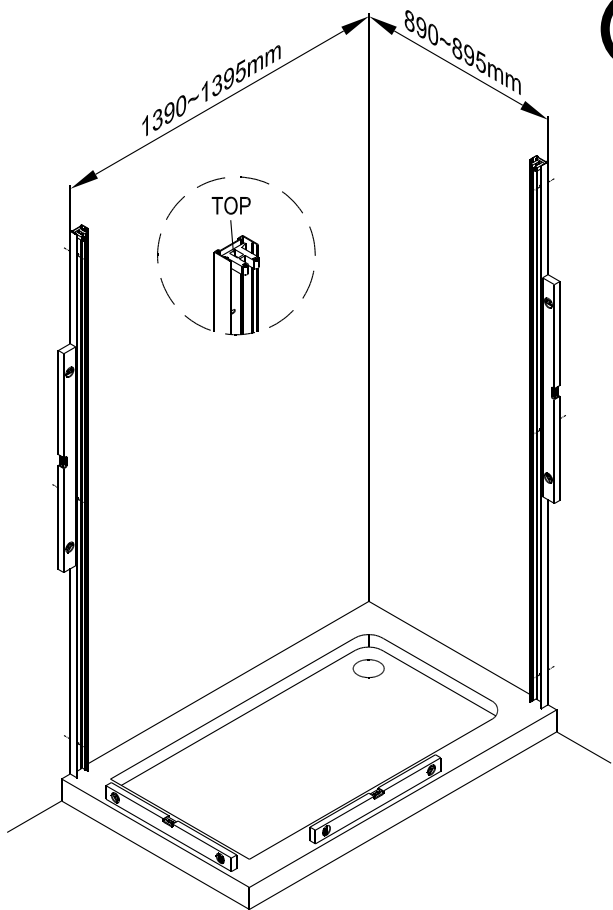




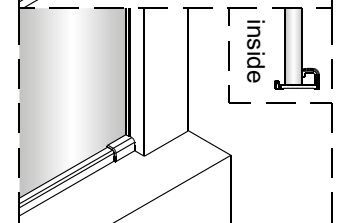
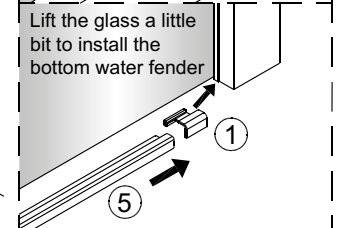
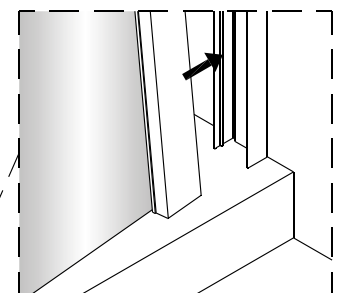
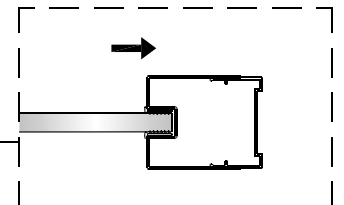
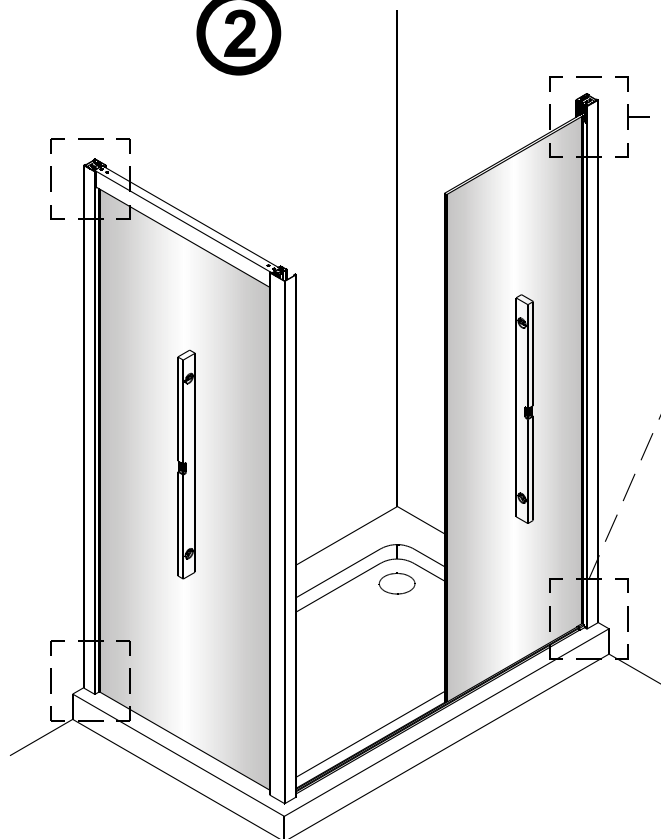
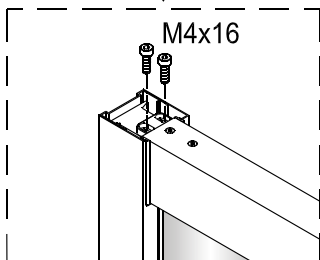
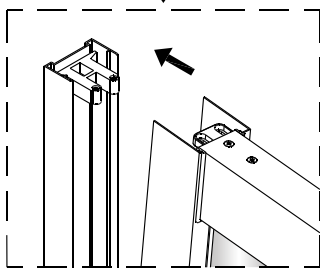
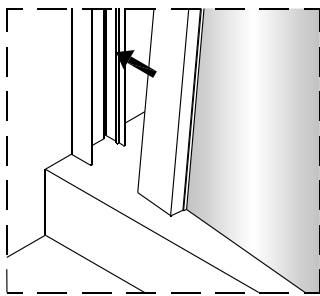
1  1X	2  1X	3  1X ST4X30	4  1X	5  1X	6  1X	7  1X	8  1X	9  1X
10  6X ST4X40	11  7X	12  1X	13  1X	14  1X	15  2X	16  2X	17  1X	18  2X M4x5
19  1X	20  1X	21  8X M4x16	22  2X	23  1X	24  1X 4mm 3mm 2.5mm	25  2X		

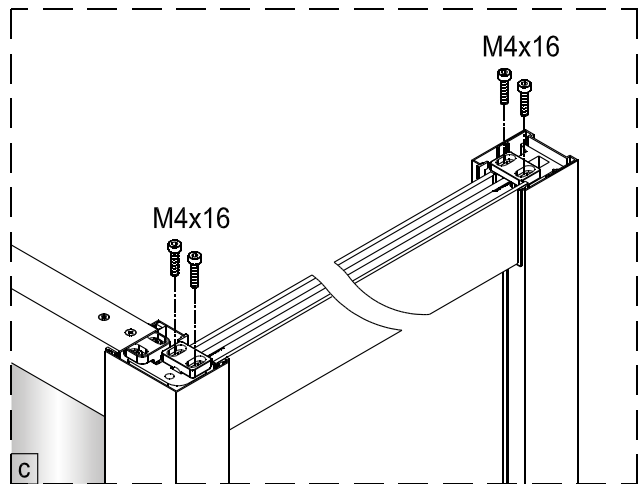
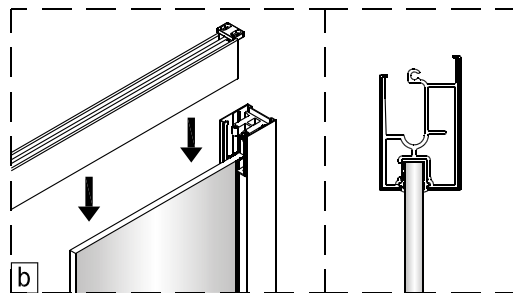
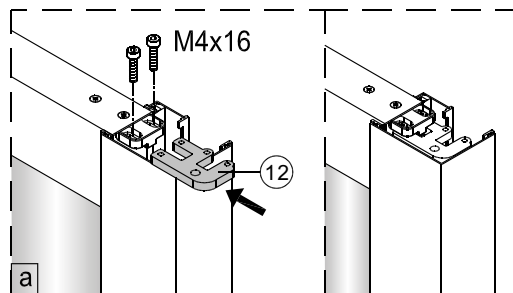
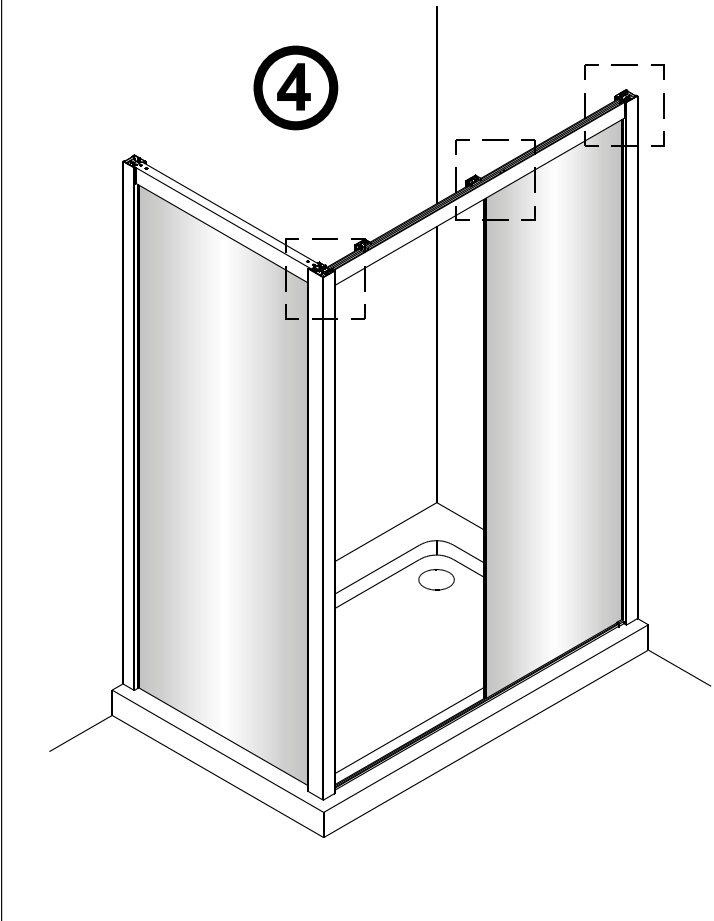
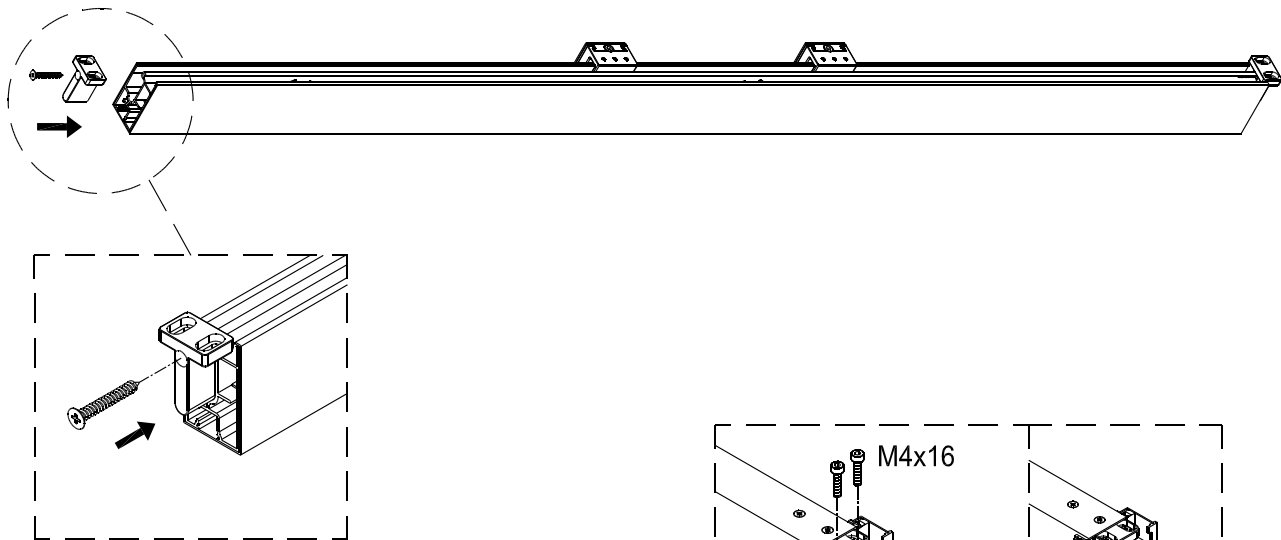
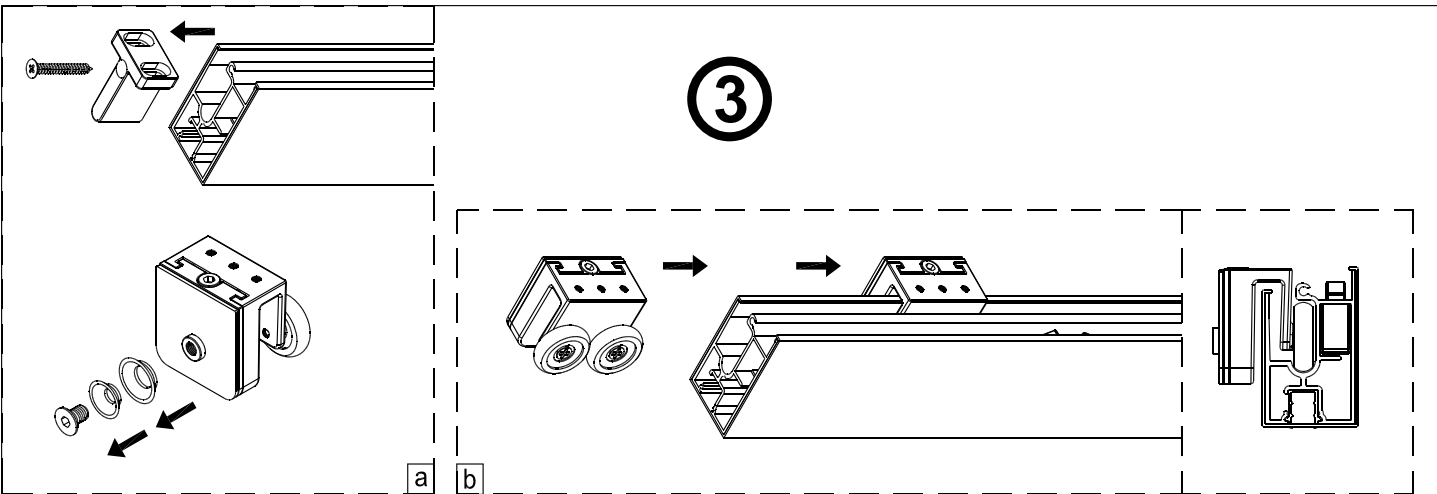


1

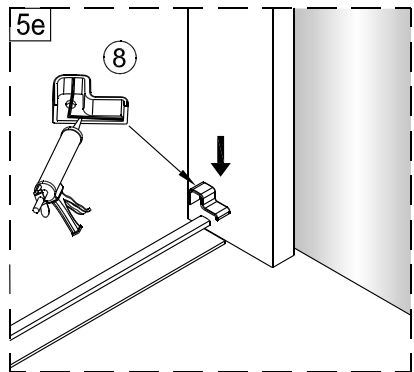
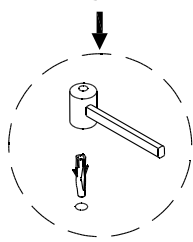
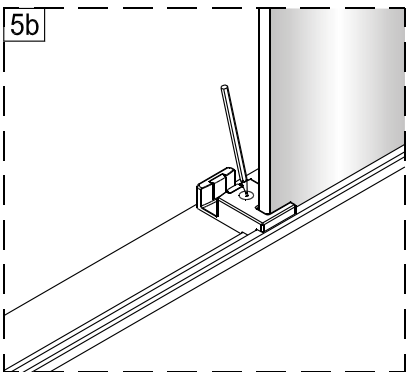
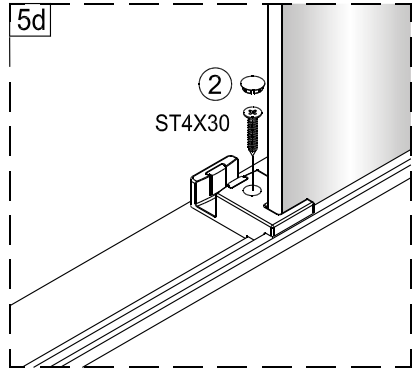
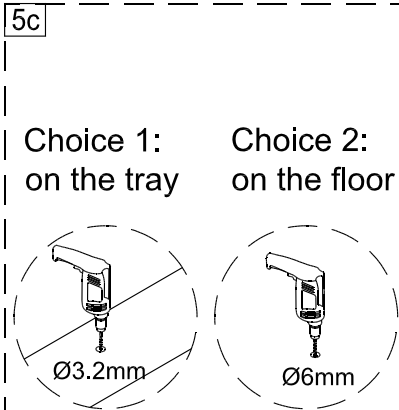
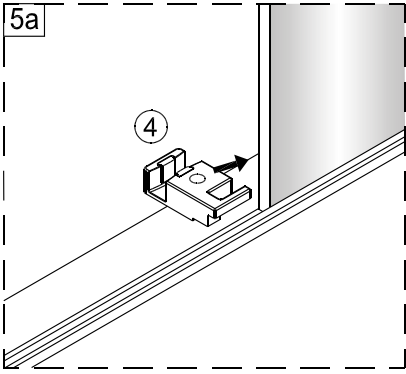


2

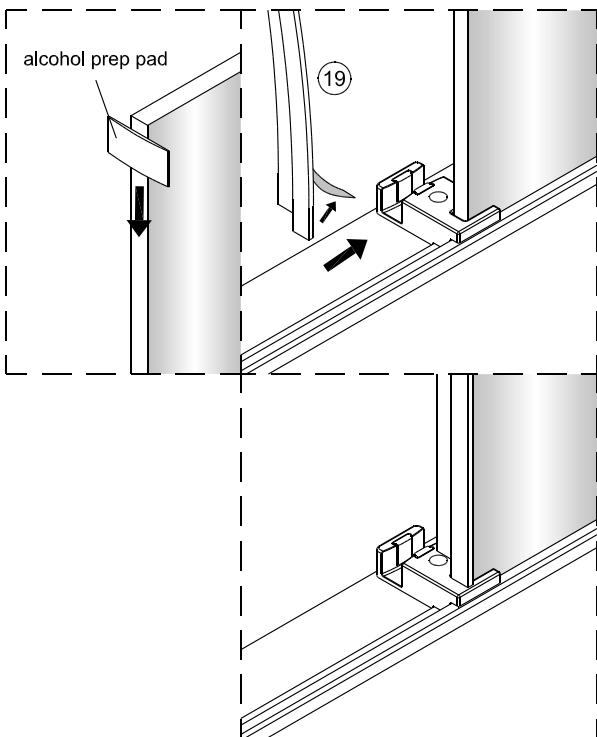




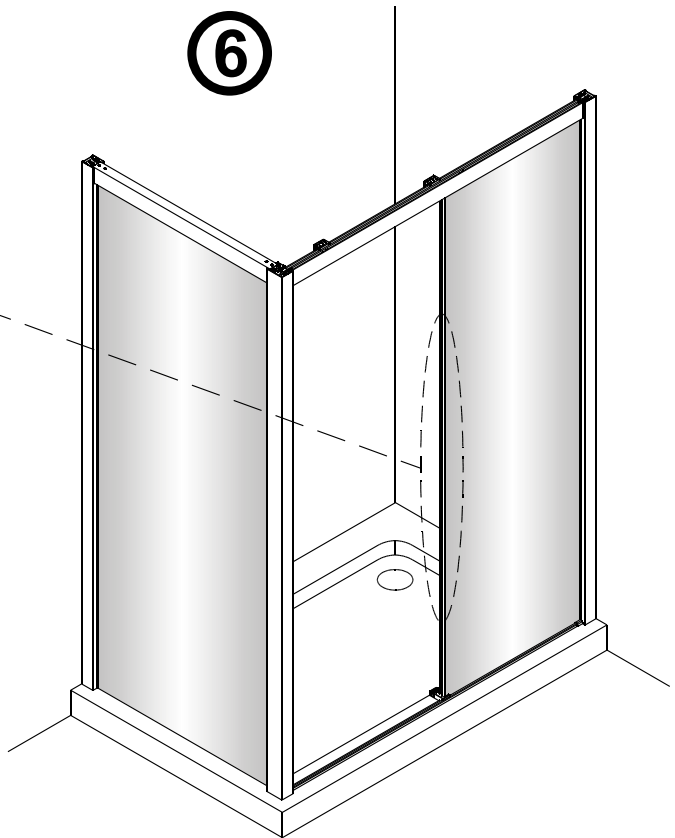
5



Clean the glass with alcohol prep pad . Then installation the waterproof strip. (Tear the double-side tap and install at the same time .)



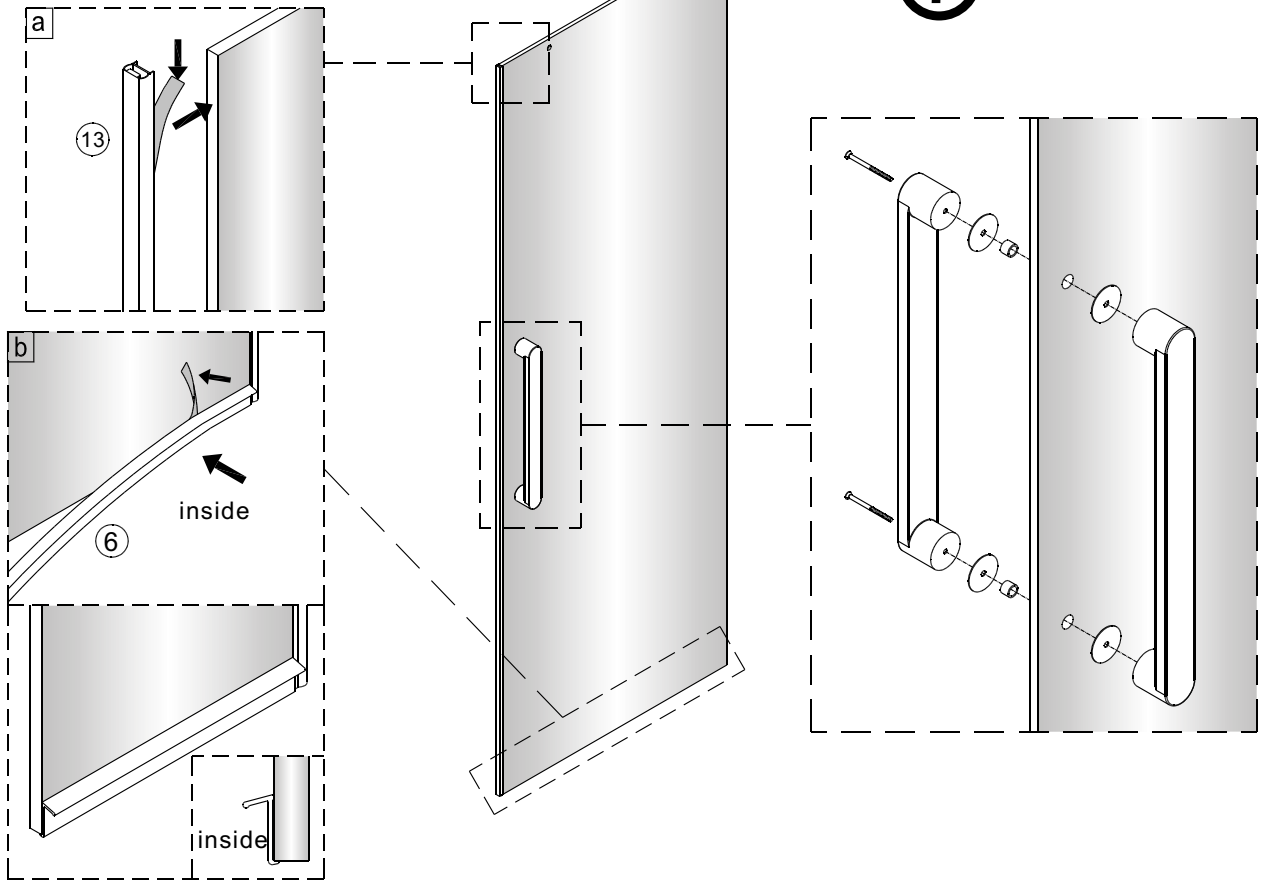
6



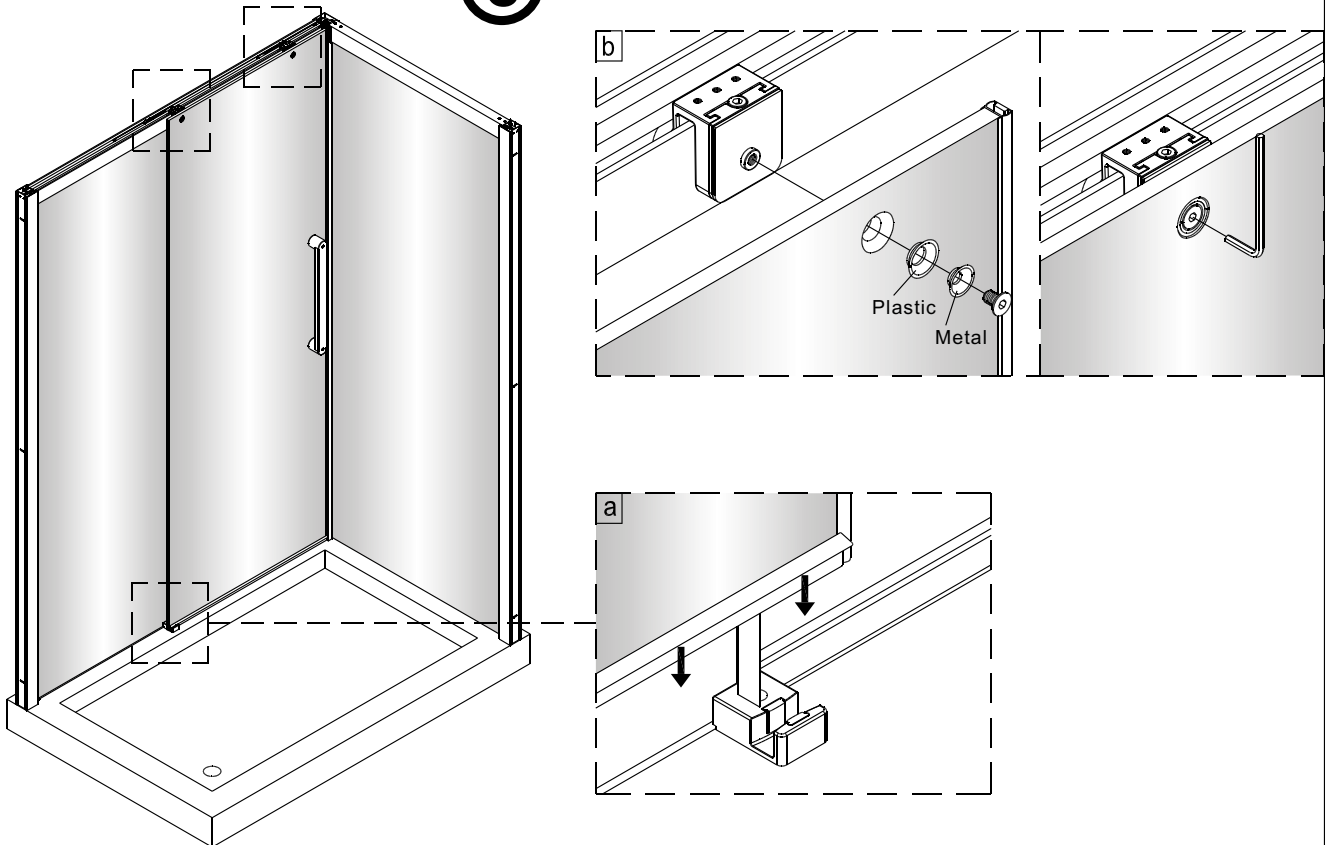


Clean the glass with alcohol prep pad . Then installation the waterproof strip. (Tear the double-side tap and install at the same time .)

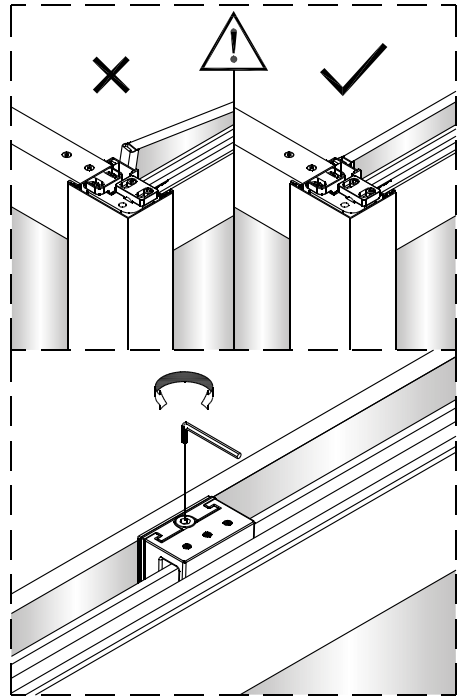
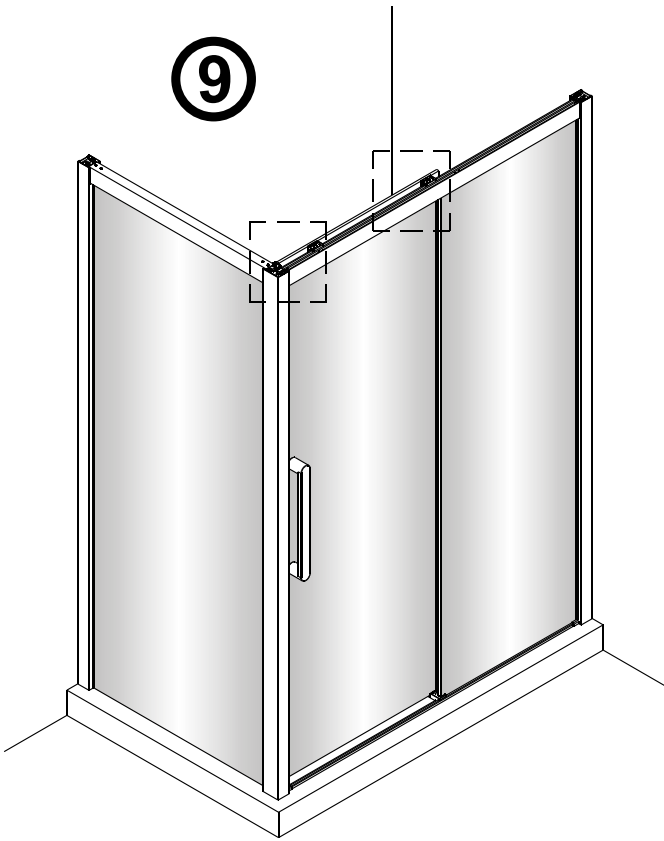
7



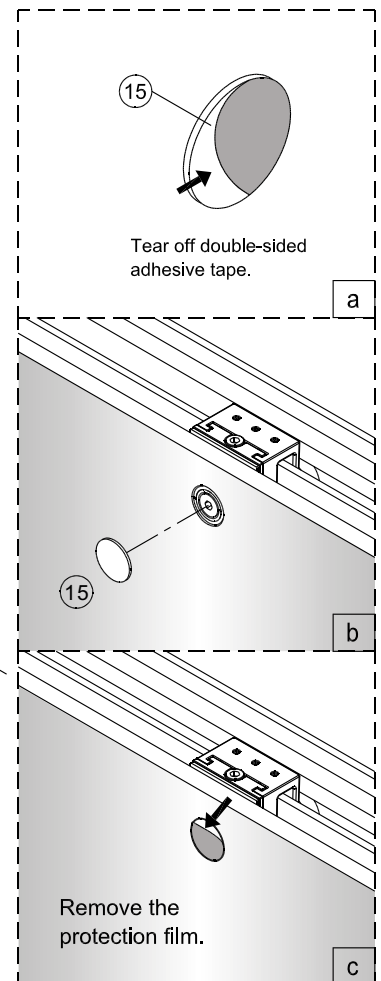
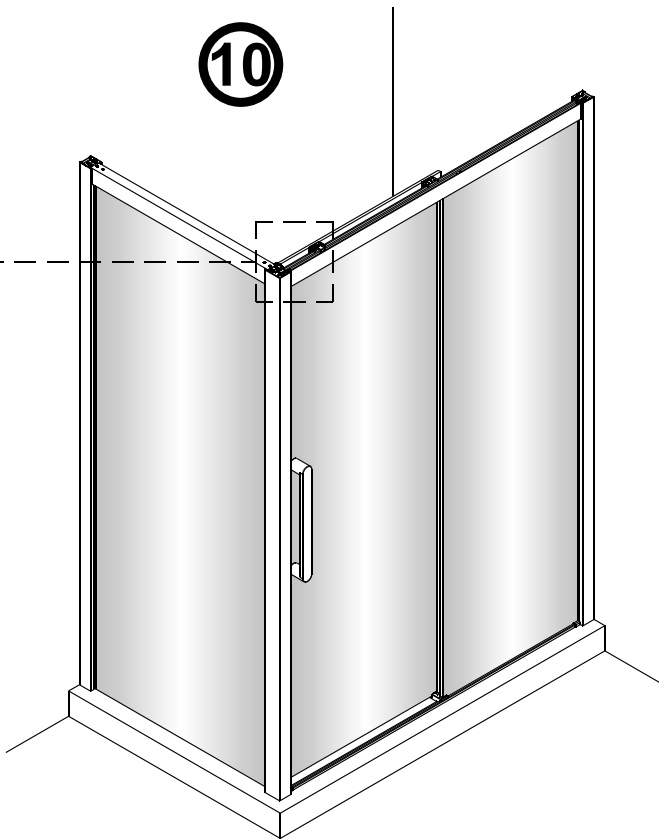
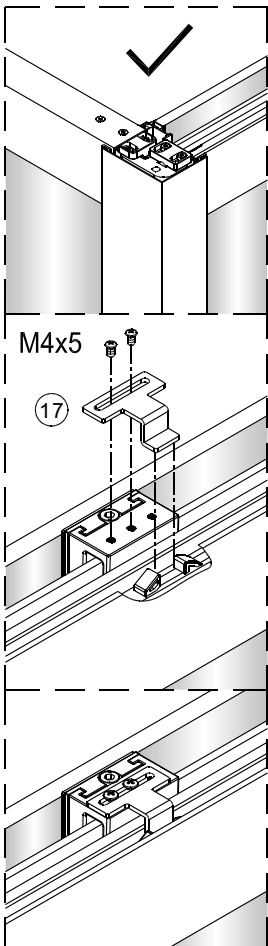
8



9



10



11

