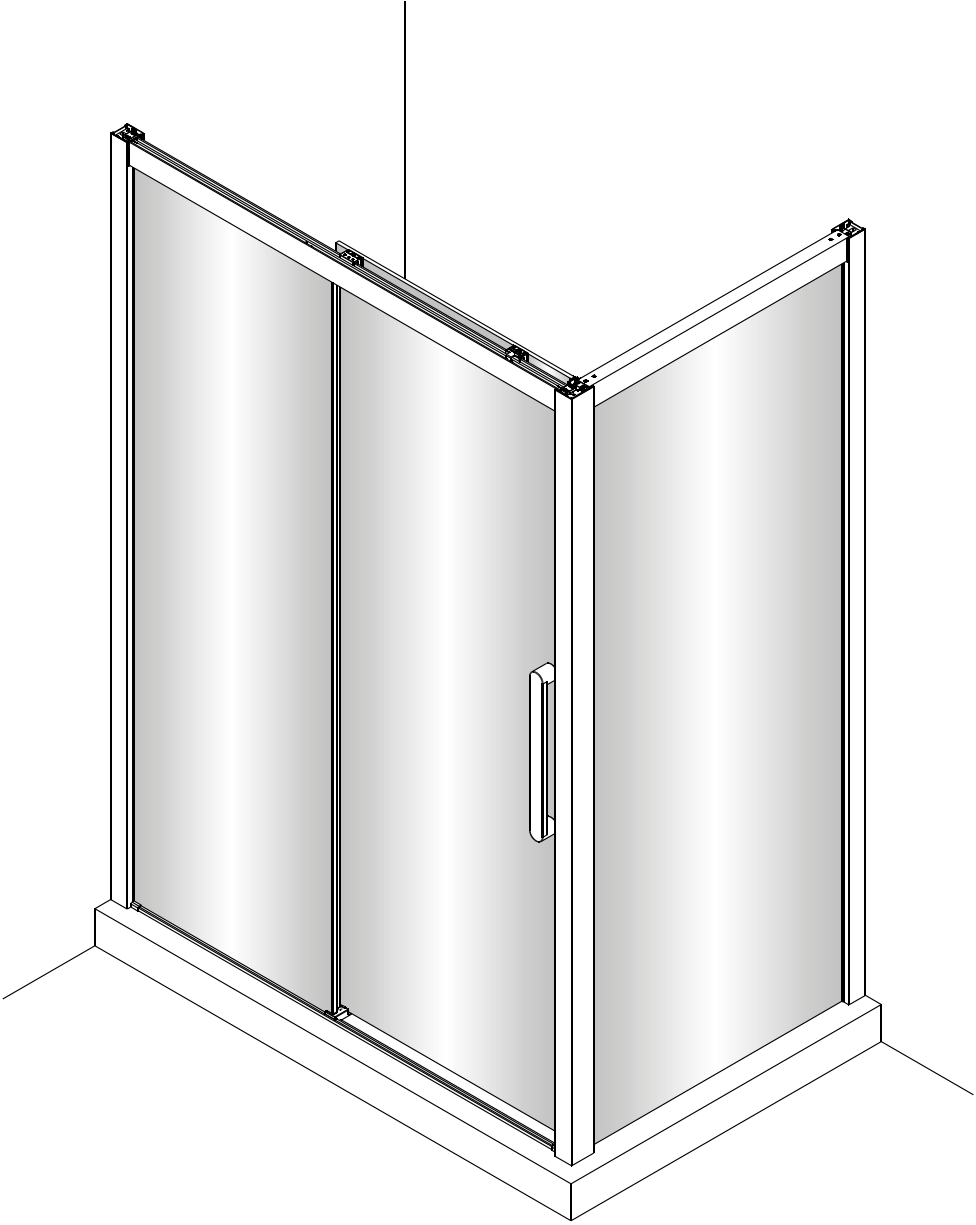
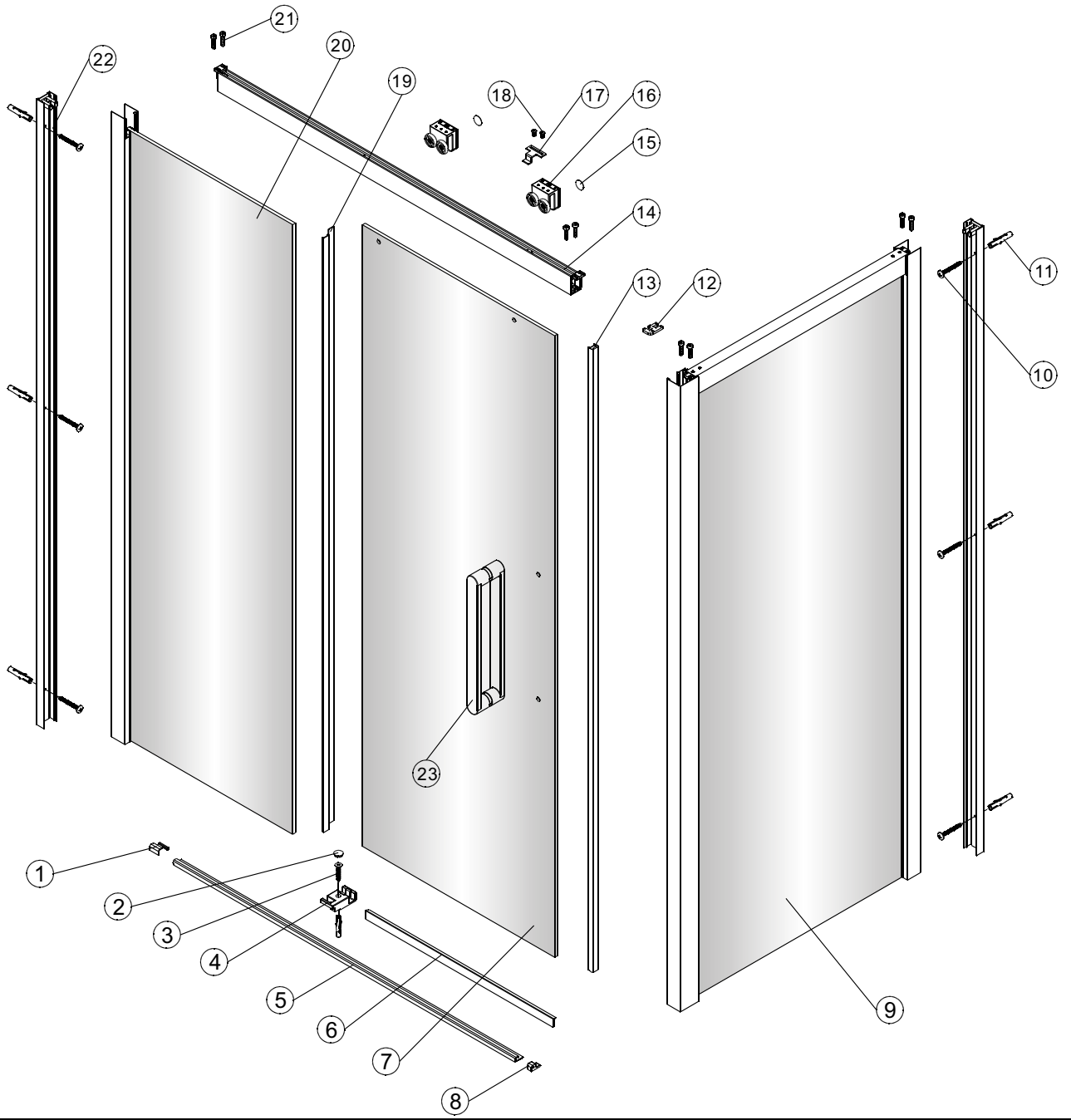
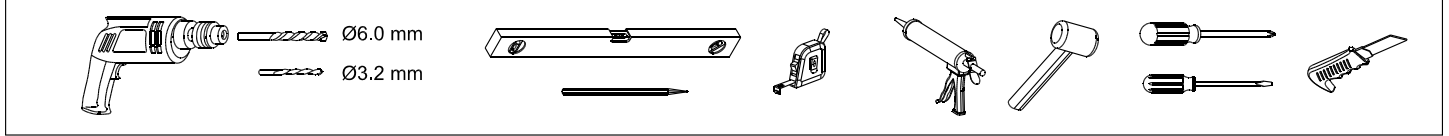


SK2-10R Instruction Manual

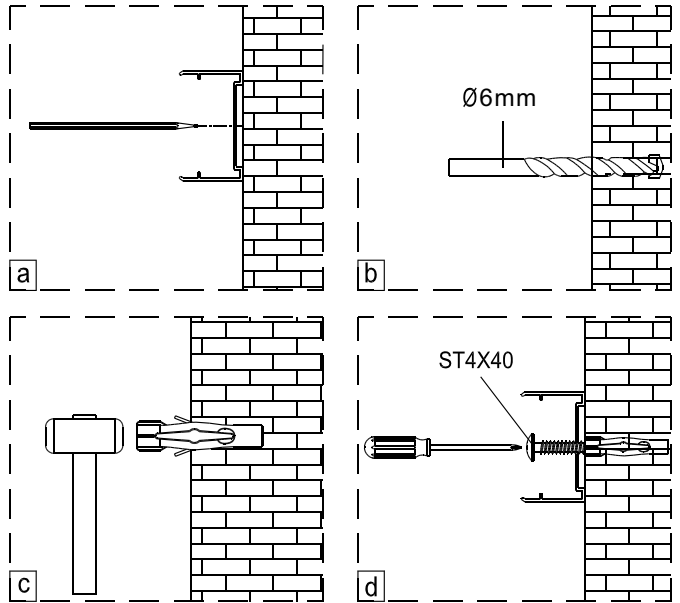
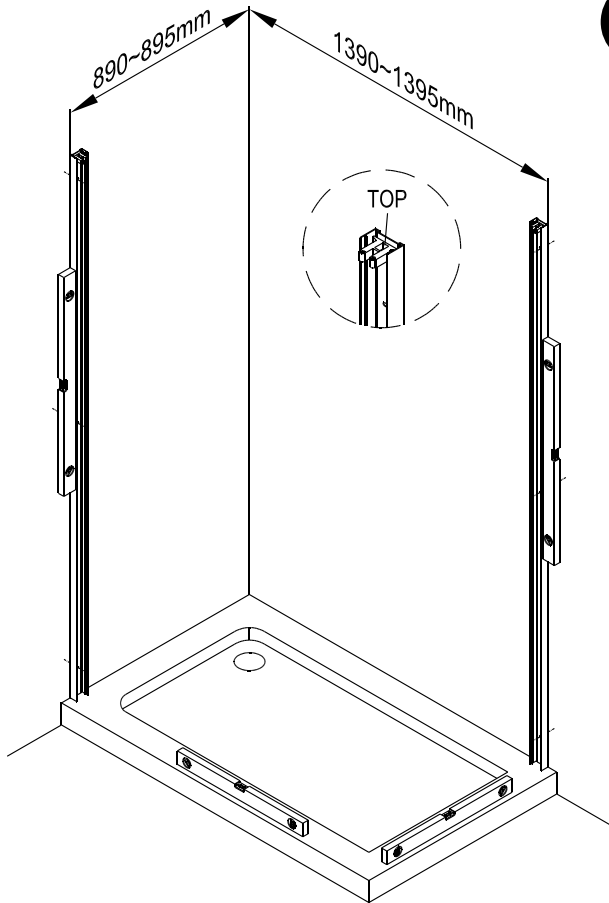




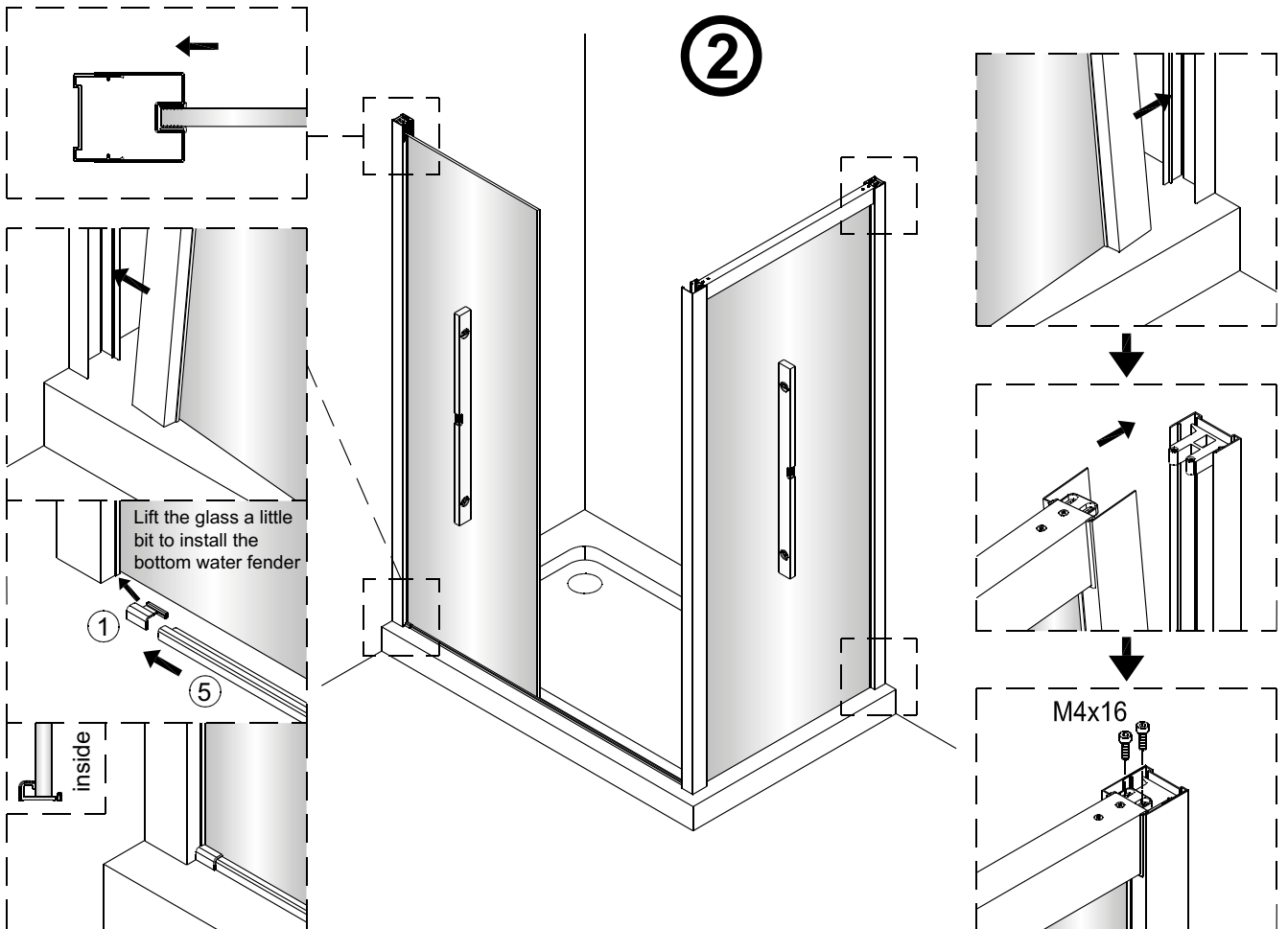
1 1X	2 1X	3 1X ST4X30	4 1X	5 1X	6 1X	7 1X	8 1X	9 1X
10 6X ST4X40	11 7X	12 1X	13 1X	14 1X	15 2X	16 2X	17 1X	18 2X M4x5
19 1X	20 1X	21 8X M4x16	22 2X	23 1X	24 1X 4mm 3mm 2.5mm	25 2X		



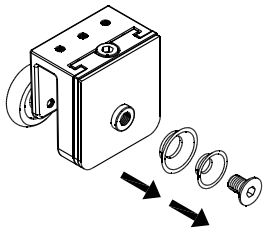
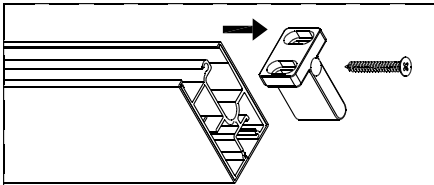
1



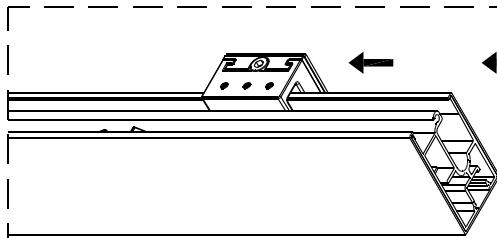
2



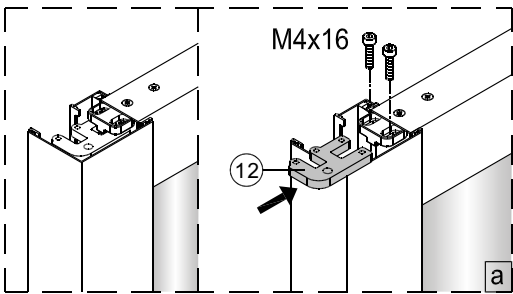
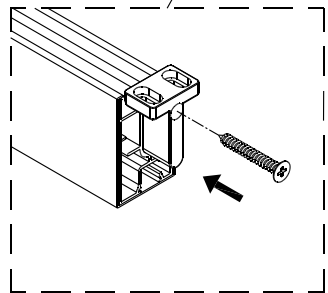
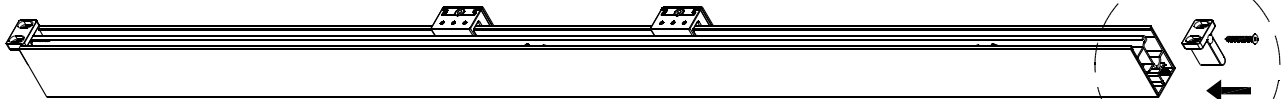
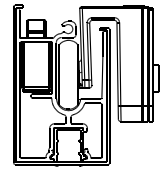
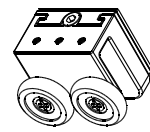
3



a

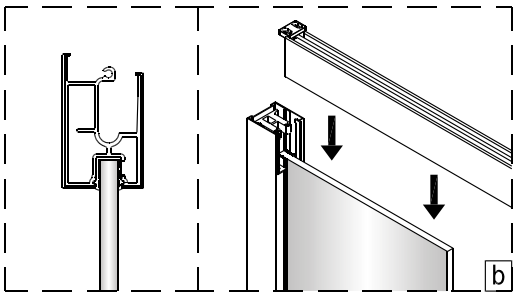


b

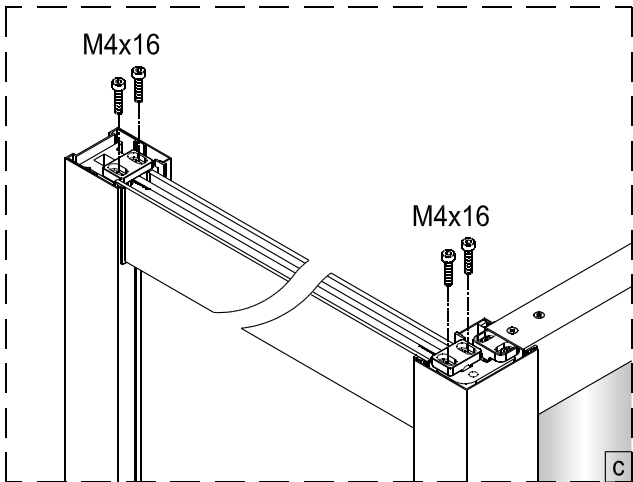


12

a



b

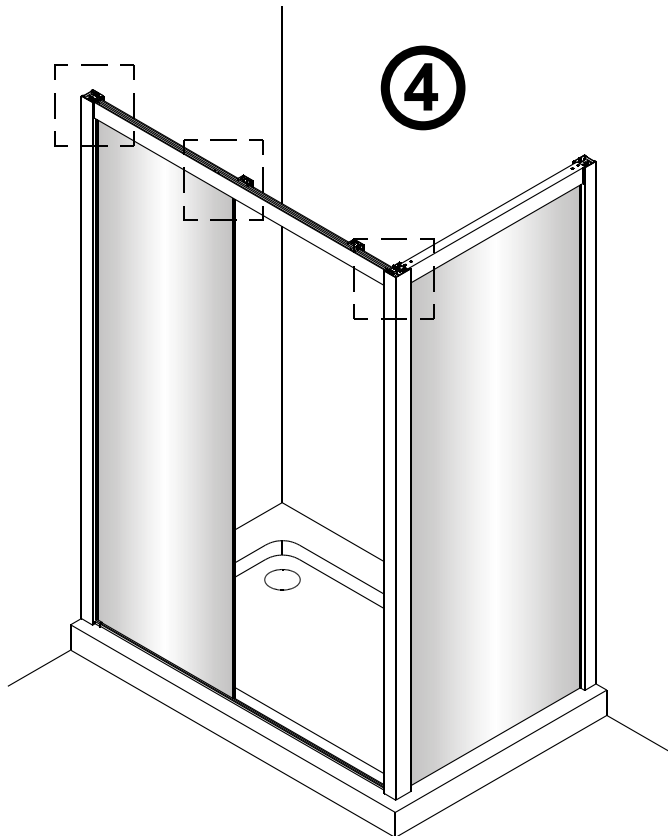


M4x16

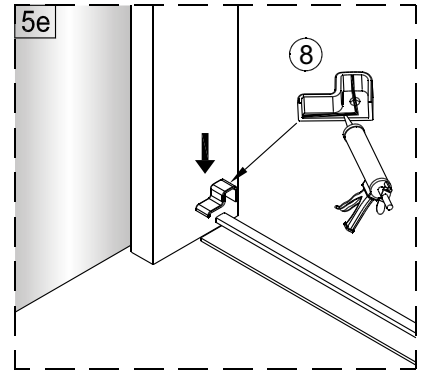
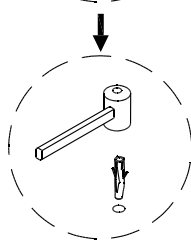
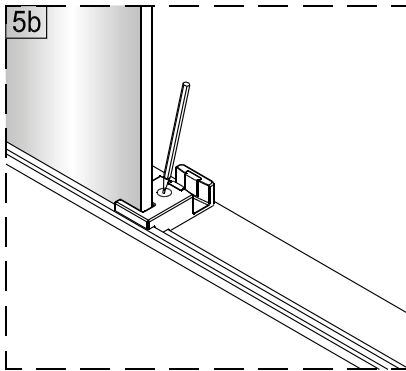
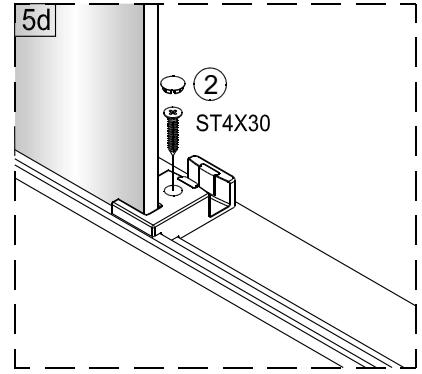
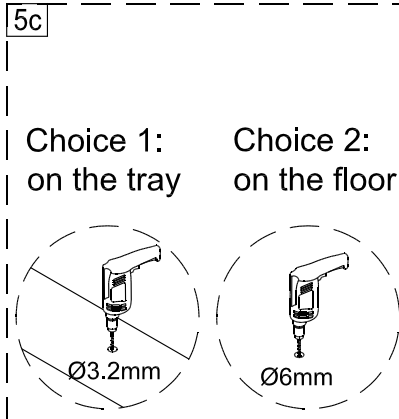
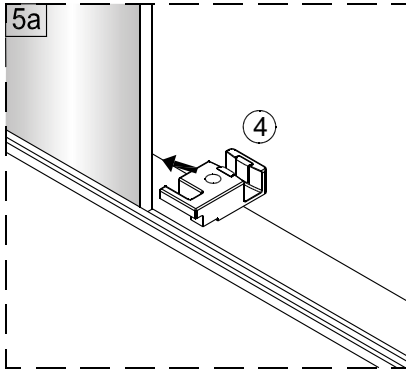
M4x16

c

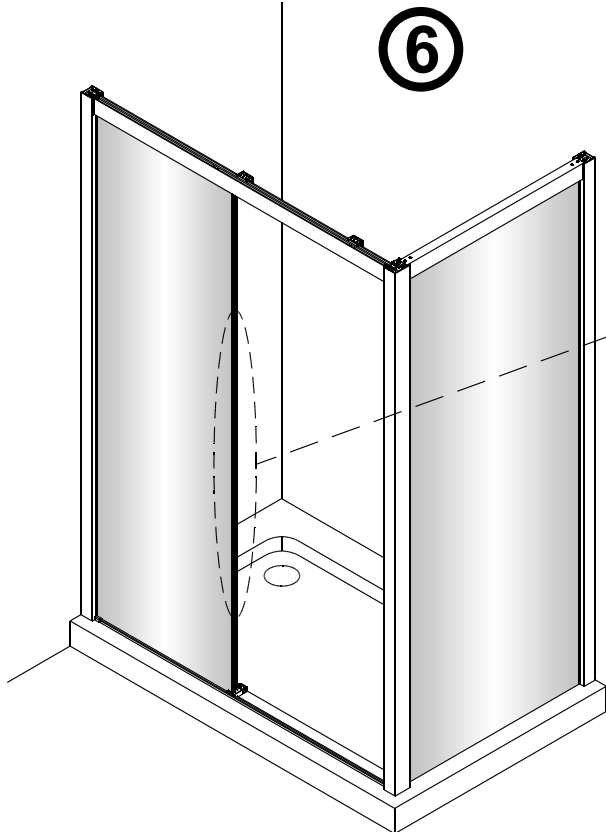
4



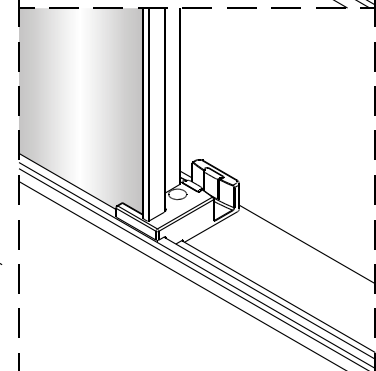
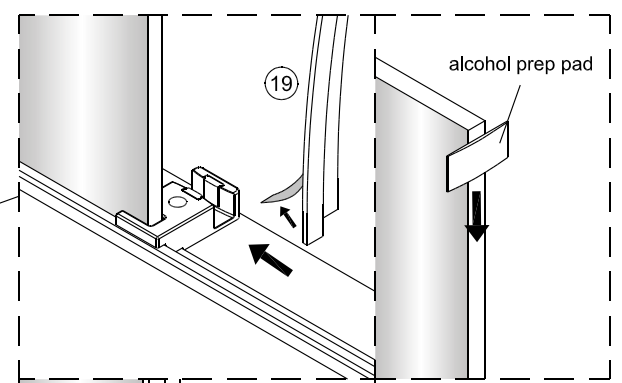
5



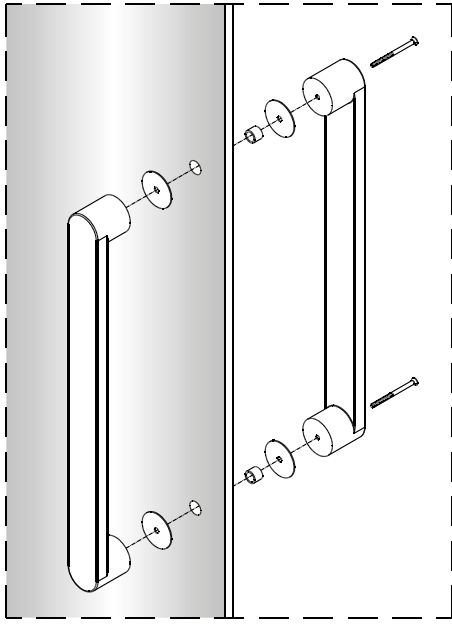
6



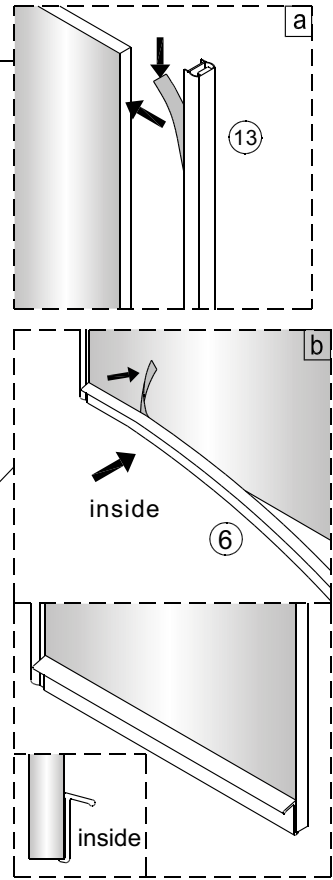
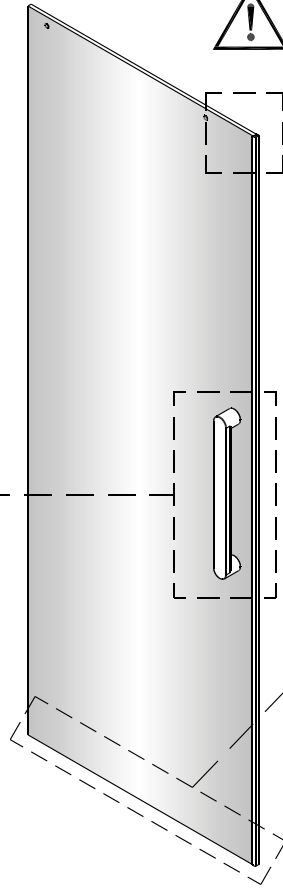
Clean the glass with alcohol prep pad . Then installation the waterproof strip. (Tear the double-side tap and install at the same time .)



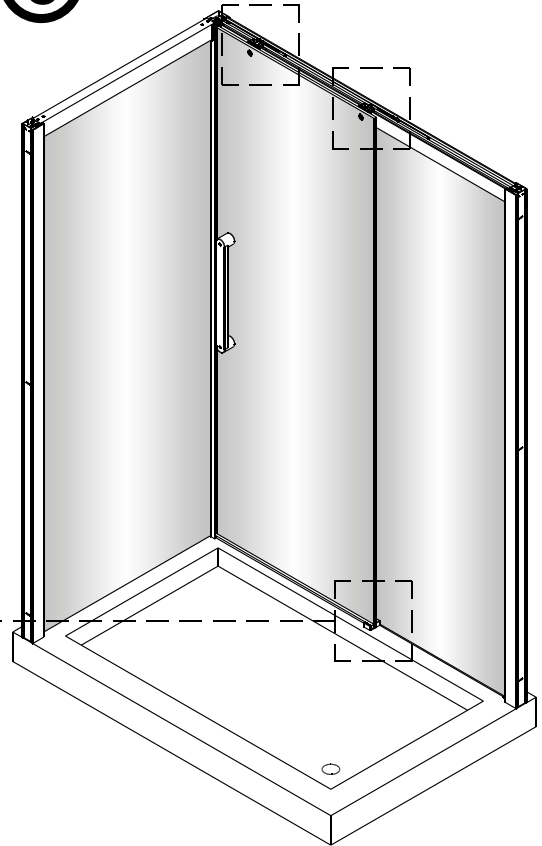
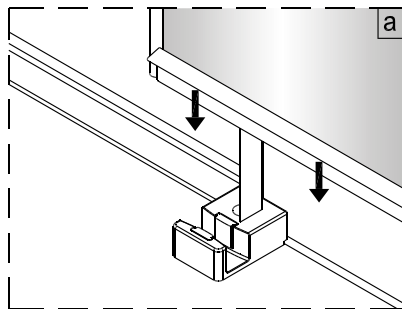
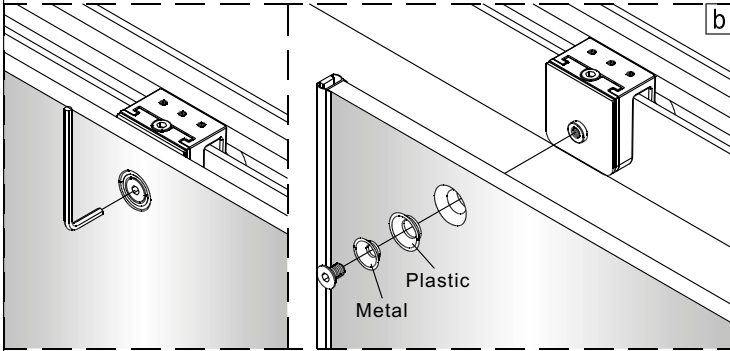
7

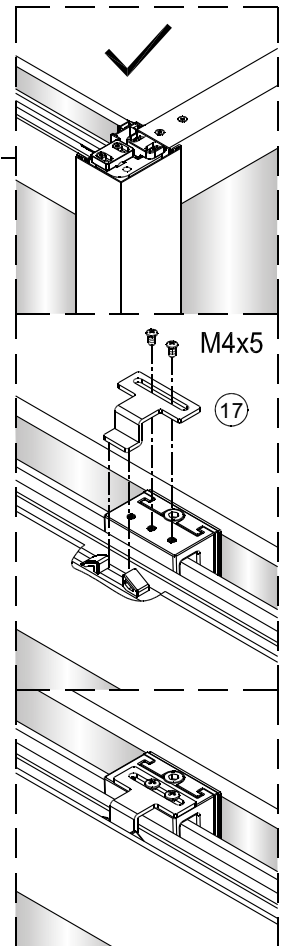
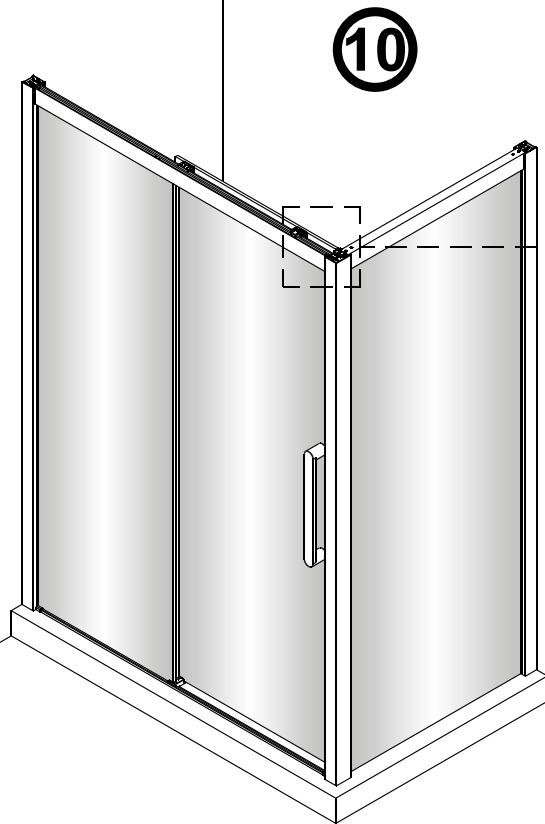
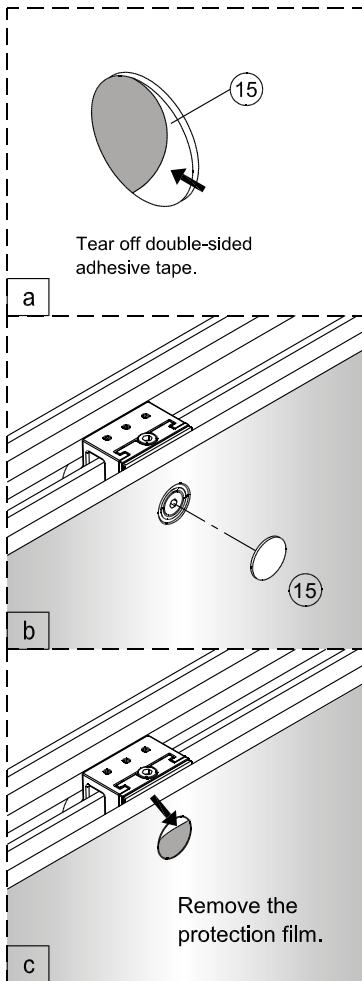
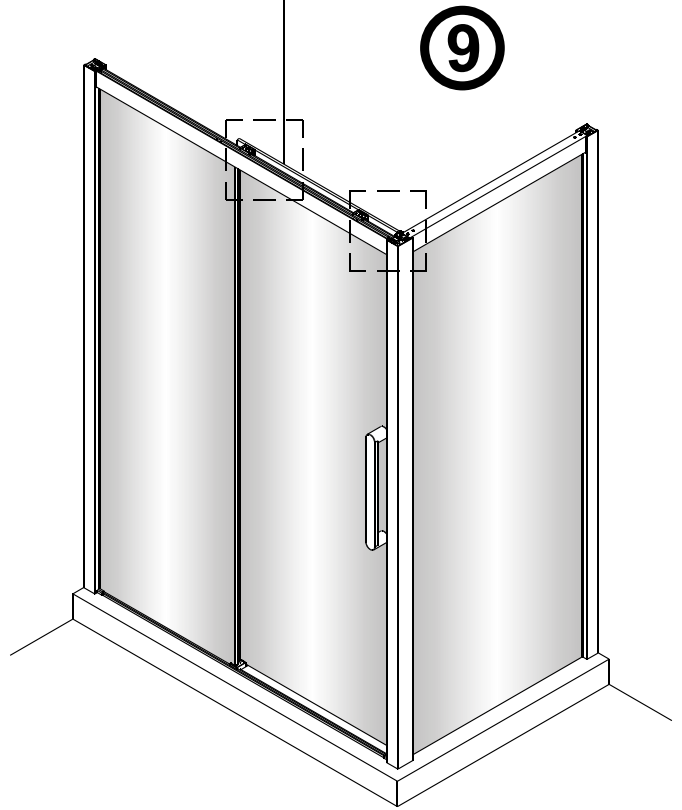
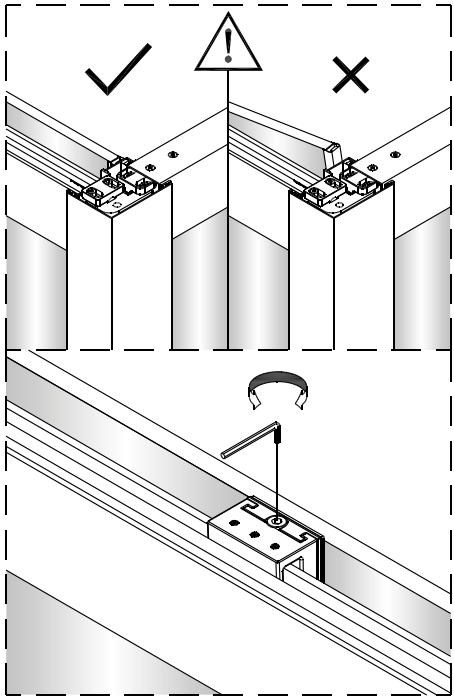


Clean the glass with alcohol prep pad . Then installation the waterproof strip. (Tear the double-side tap and install at the same time .)



8







11

