



**SCHWAB**  
Wir wissen wie.

*Since 1911*



FLUSHING  
CISTERNS

## Installation method

- for installation on or in solid walls

## Properties

- preassembled, galvanized WC element
- **cistern UP 182**, front activation, start-stop flushing or dual flushing (large flush 6 / 9 liter, small flush 3 liter)

## Product contains

- cistern, complete with angle valve
- PE drain elbow DN 90 with seal
- PE adapter DN 90 / DN 100 with seal
- complete installation and fixing materials

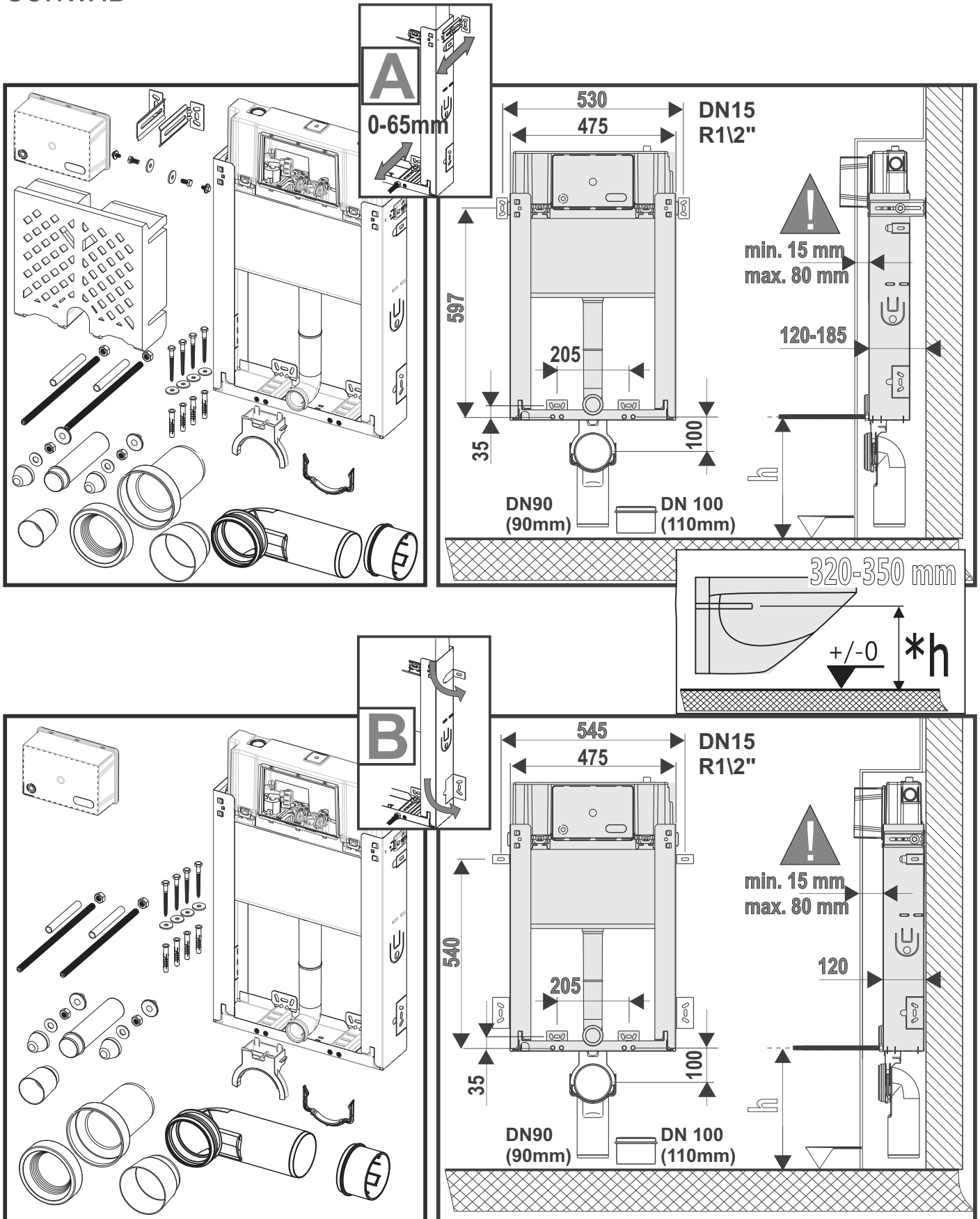
**Without filling block** (needs to be ordered separately)

**Without foot support** (needs to be ordered separately)

**Flushing plate needs to be ordered separately**

Flushing plates on pages 28-35



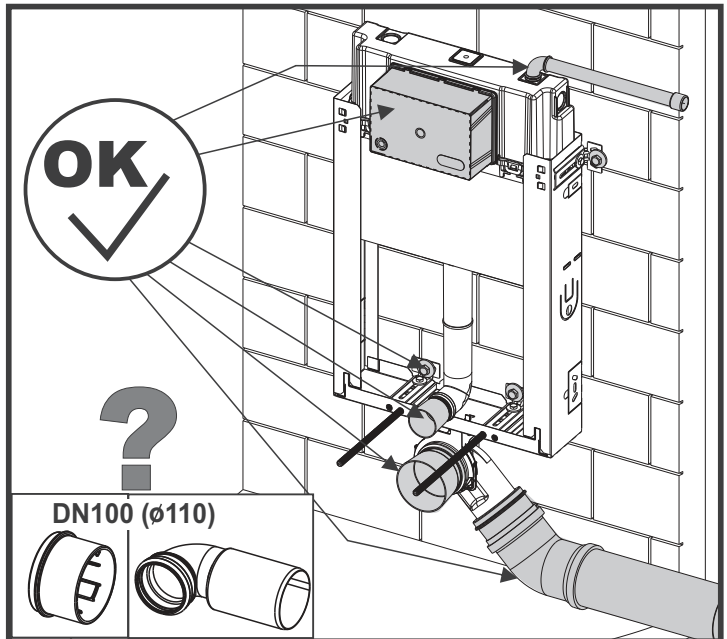
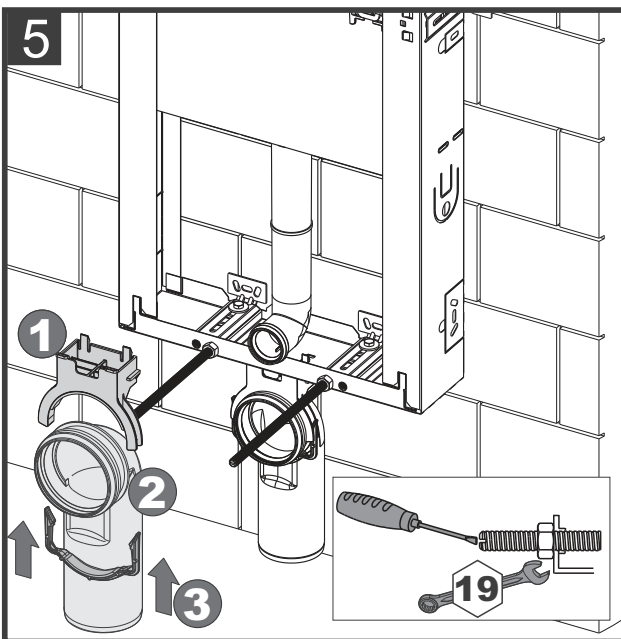
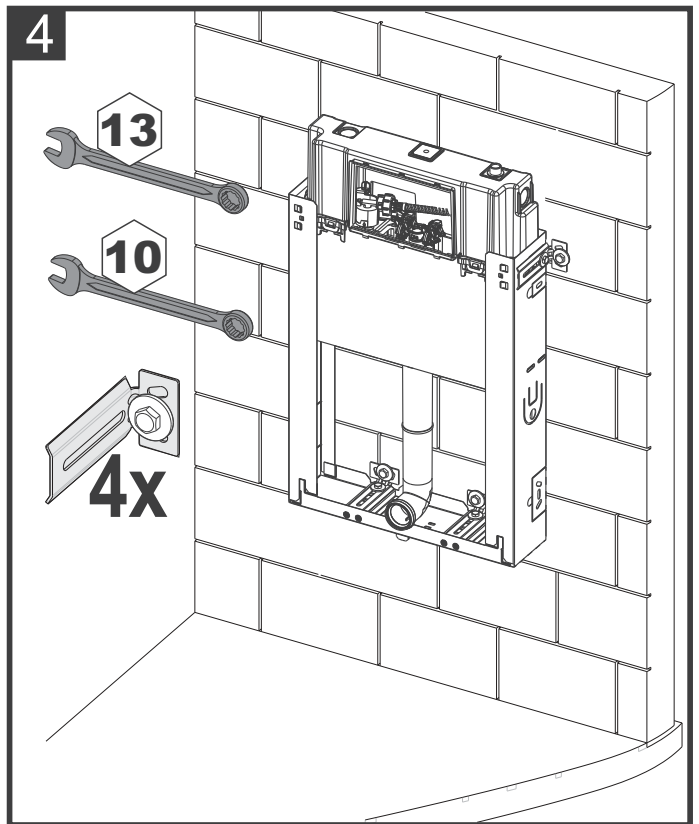
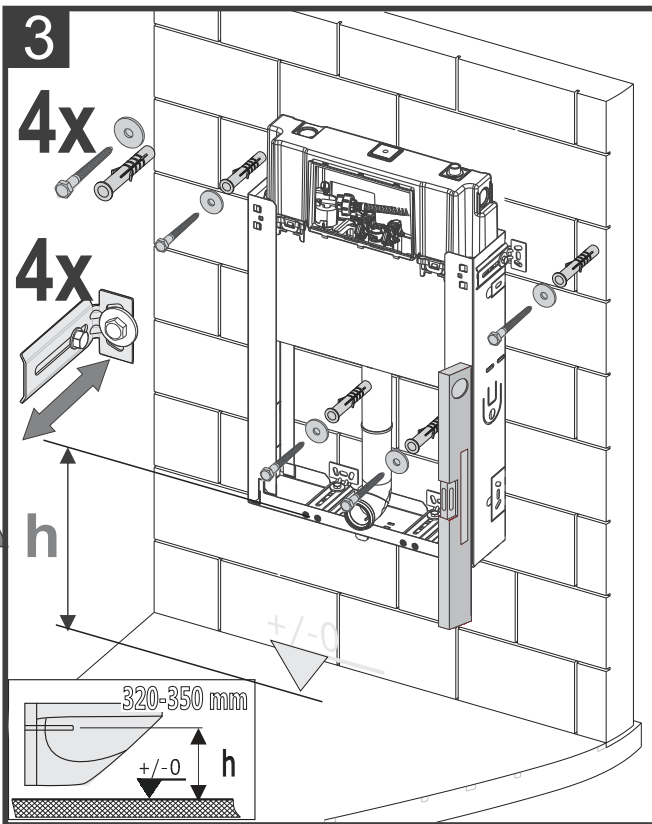
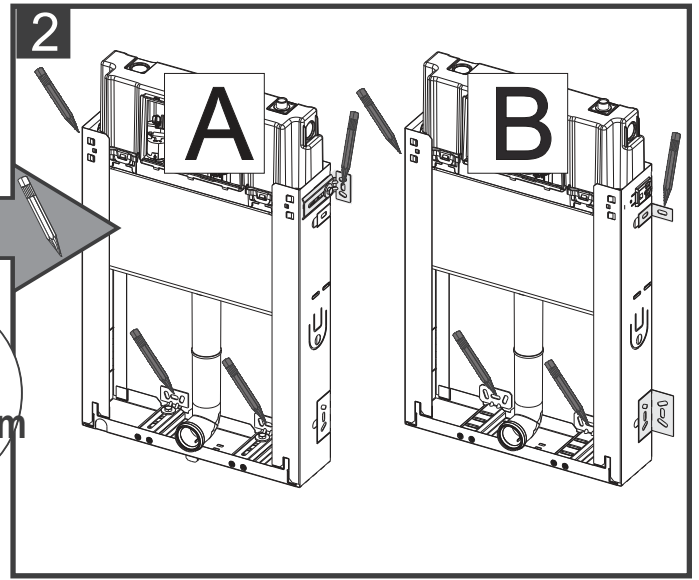
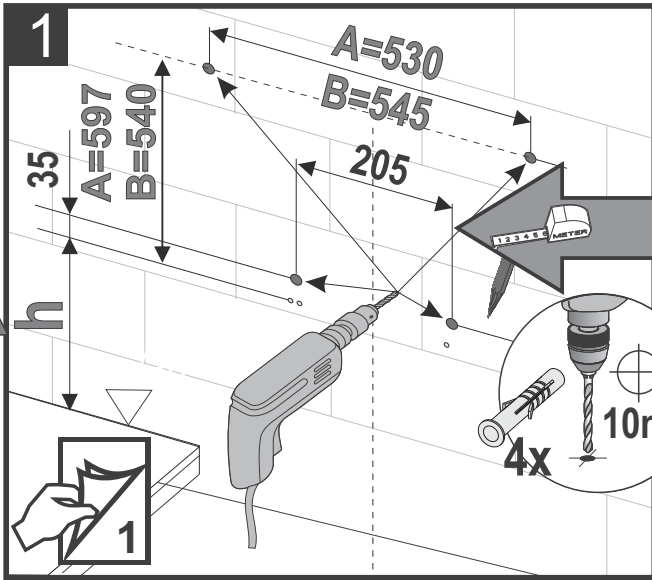


Montagehöhe h mit Keramik und Nutzerwünschen abstimmen .

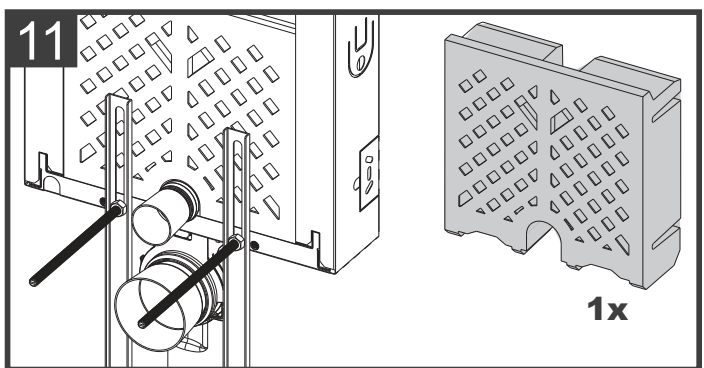
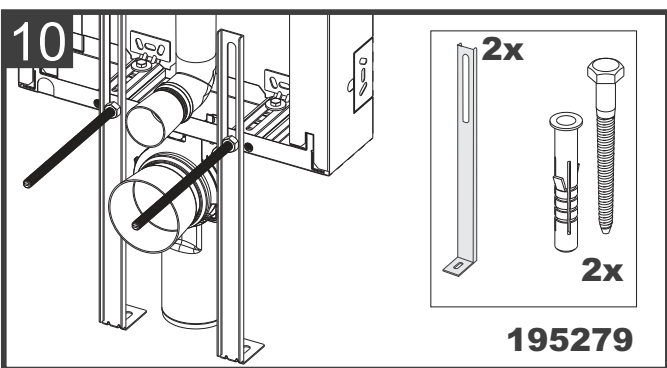
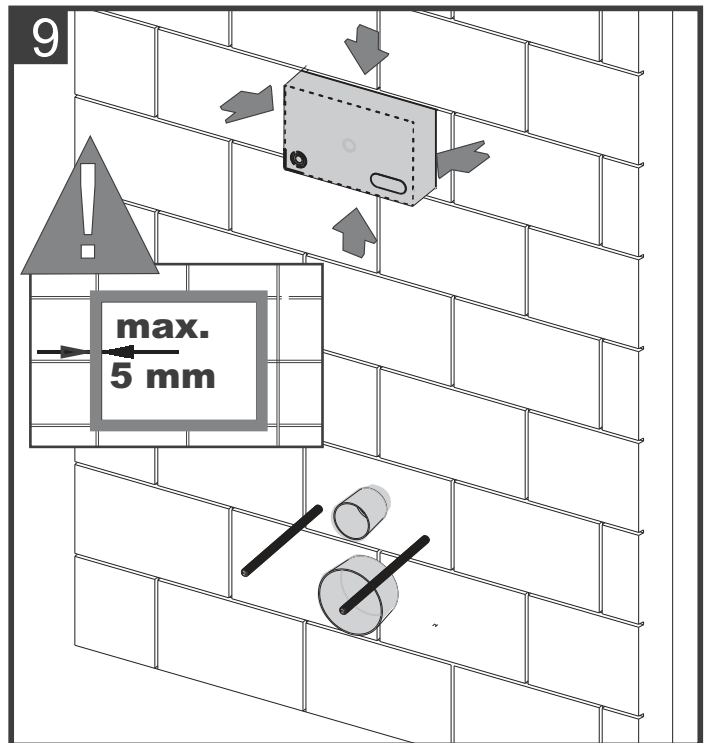
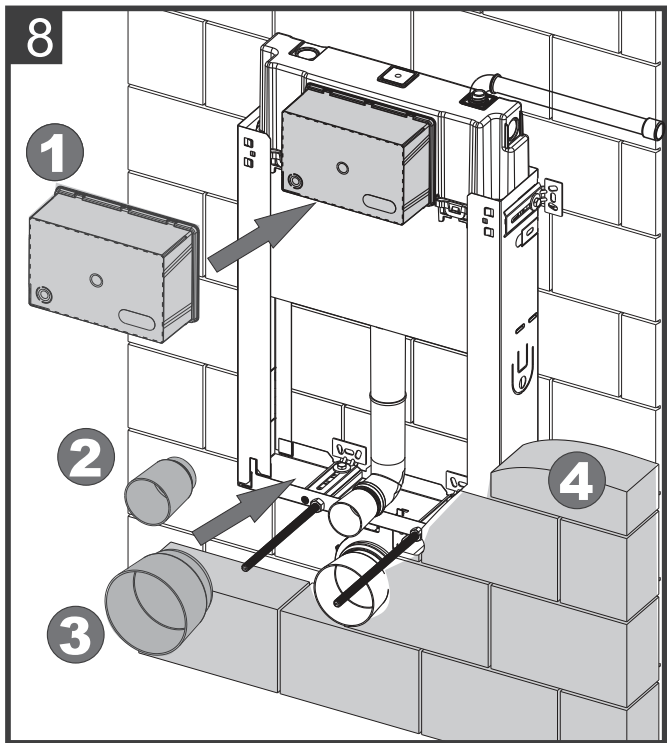
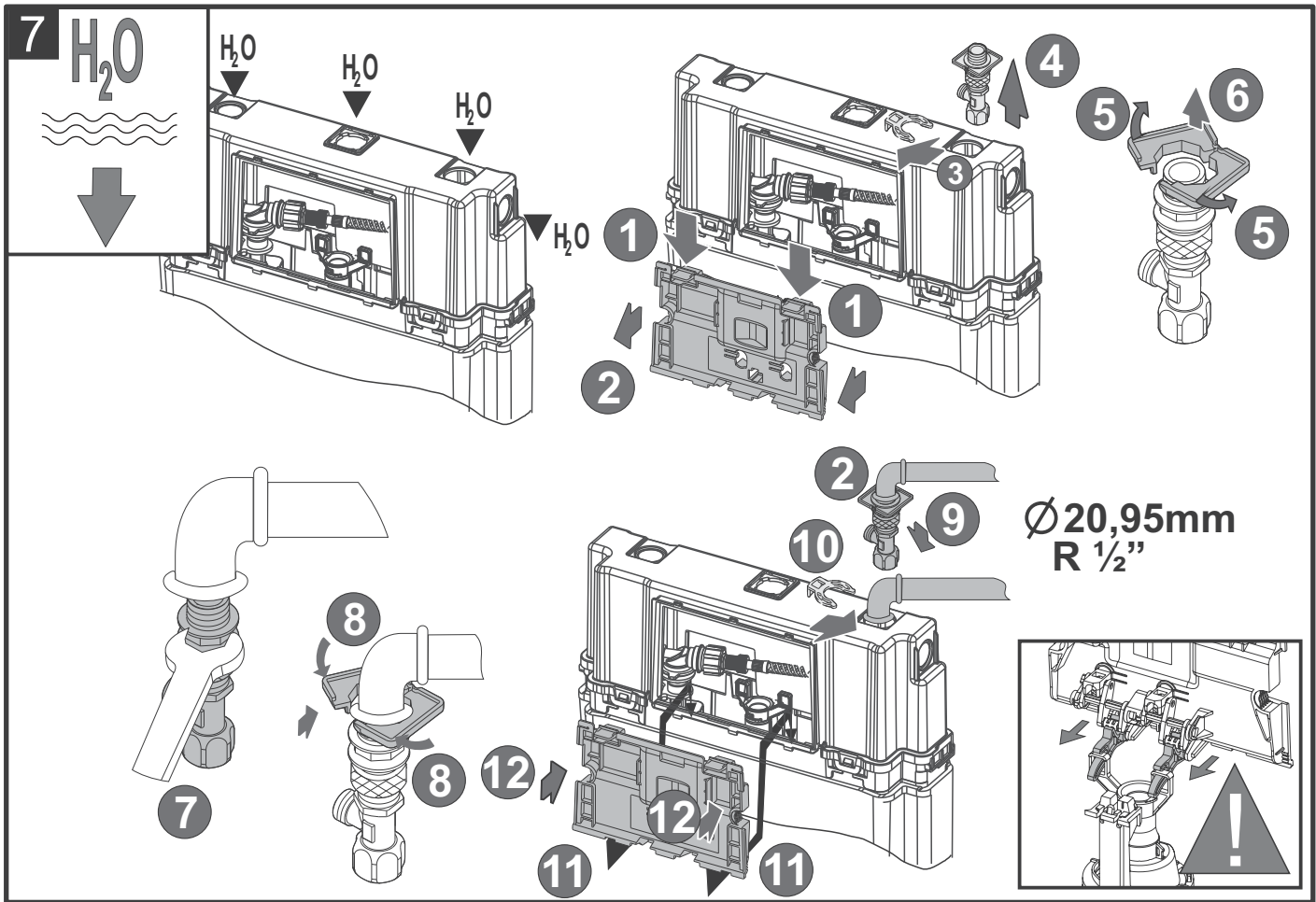
Mounting height h has to be set individually according to mounting situation and user request.

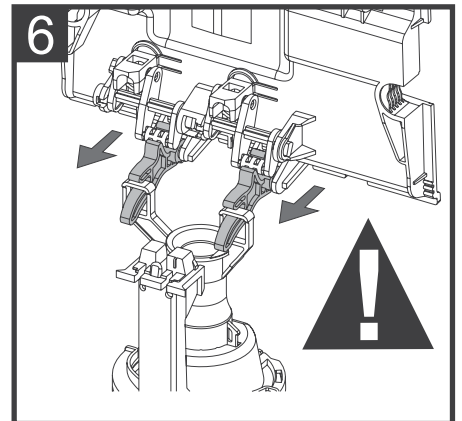
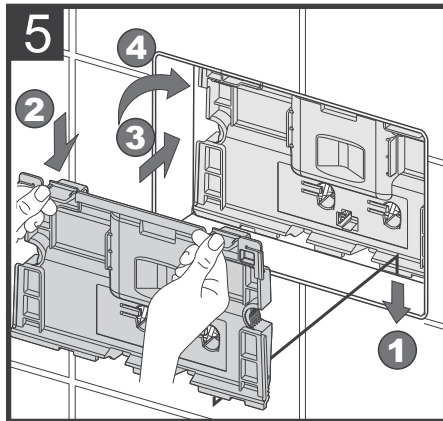
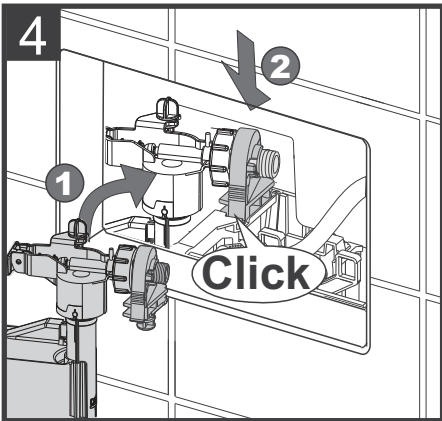
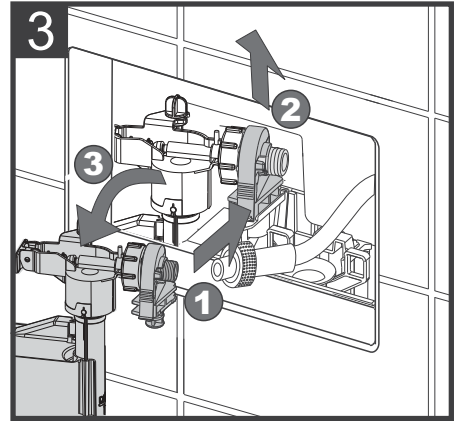
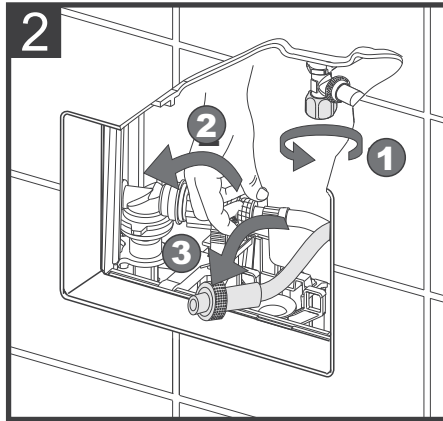
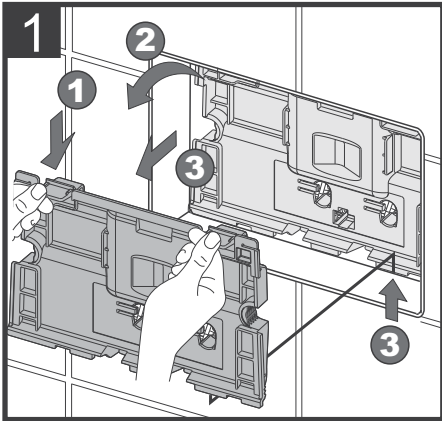
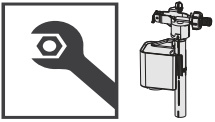
La hauteur de montage h doit être réglée individuellement en fonction de la situation de montage et demande de l'utilisateur.

L'altezza di montaggio deve essere impostata individualmente durante la fase di montaggio e su richiesta dell'utente.









5L ← 6L → 7L      3L → 4L      ~~5L/4L~~

