

Instructions of Shower Room



S12011/S12021/S12051

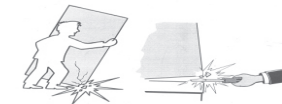
Dear customer:

Sincerely thanks for selecting our shower room, the series product made of high quality material, with the characteristics of simple, natural, comfortable, practical, excellent in quality and reasonable in price etc. It is the newest developed design of leisure product. It will bring you an infinite relaxation, and infinite pleasure.

Please examine whether the accessories lack or not according to the whole picture, and analyze the structure and the installation position of product. Then carry on installing according to the explanations as following instruction.

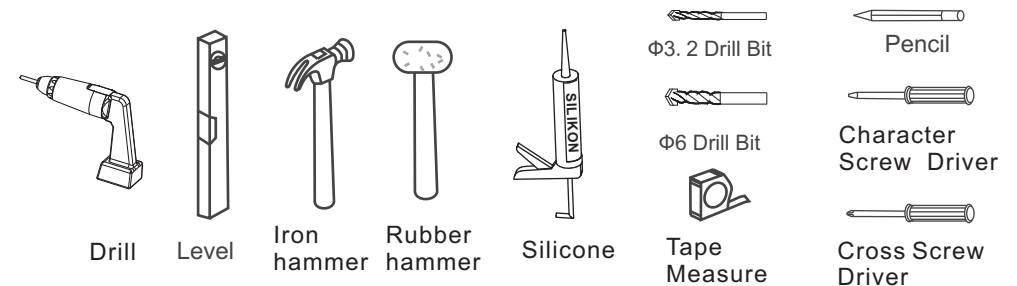
You are welcome to visit our web www.gemy.cn for more information.

ATTENTION



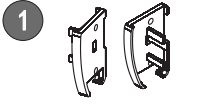
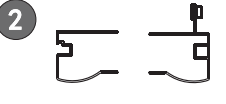



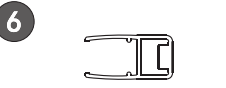









1. Don't let child or costive one use the shower room alone, otherwise may cause injury.
2. It is easy to slip because of the soap water in the shower base, please be careful!
3. To avoid fire or damage, please don't put burning cigarette near the sit, shower base or fall ash in.
4. Don't put stools in shower base and stand on it.
5. To avoid scratch, please don't put tools like shaver blade in shower base.
6. Please don't use acid, alkali, drugs (e.g. Hydrochloric Acid) and acetone impregnant, cleansing powder and abrasive to clean the shower room, because the impregnant mentioned above is bad for health.

Installation Tools



Shower Room Structure



 <p>2 plastic pieces</p>	 <p>2 aluminum</p>	 <p>2 aluminum</p>	 <p>2 handle</p>
 <p>Retaining Article 2</p>	 <p>2 magnetic stripe</p>	 <p>2 aluminum</p>	 <p>At the end of a basin</p>
 <p>2 unilateral tape</p>	 <p>14 XST4x25</p>	 <p>6-conditioning block</p>	 <p>4 pulley</p>
 <p>Decorative screw cap 6</p>	 <p>6 plastic expansion</p>	 <p>Tape a small umbrella</p>	

Installation Procedure

Step 1

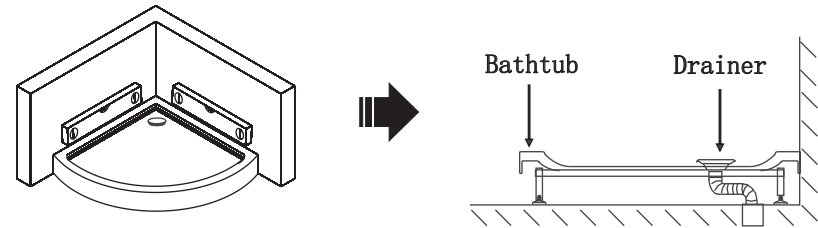


Figure 1

Figure A

Place the shower tray at installation position, and make the edge of the shower tray close to wall tightly; Put the level ruler on the shower tray, then adjust the screw of stand until the shower tray is level (see picture 1). Check if the drain pipe is long enough to connect to the cloaca rightly (see picture A).

Step 2

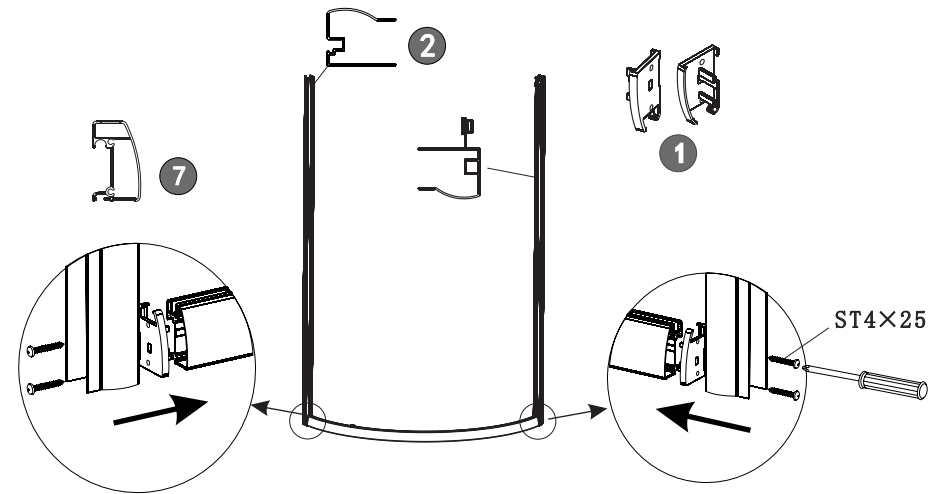


Figure 2

Connect the two side frames and bottom rail (see picture 2), fix it with self-tapping screws tightly.

Step 3

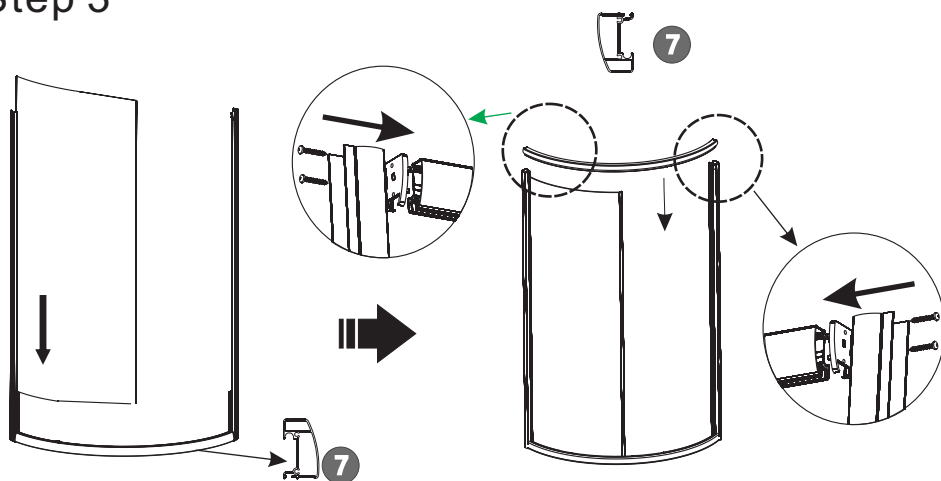


Figure 3

Figure 4

Insert the left and right fixed glass panel into bottom rail LC-29108 (see picture 3), connect the top rail to the side frames (see picture 4), then fix it by self-tapping screws tightly.

Step 4

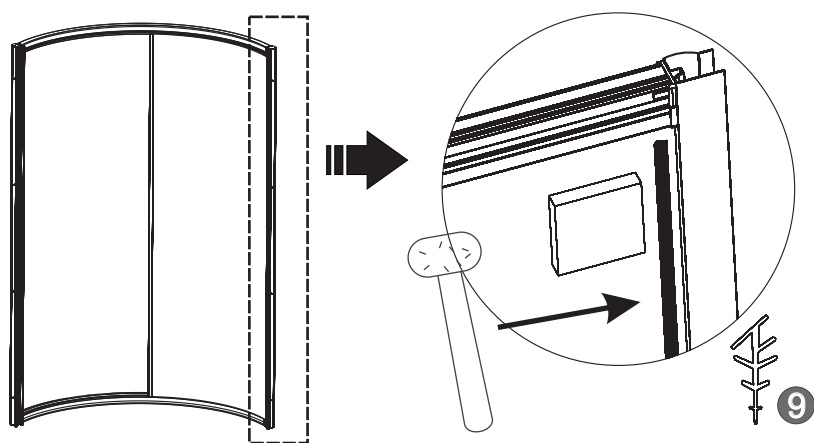


Figure 5

Figure F

Shown as picture 5, insert the JT into connection of fixed glass panel and side frame LC-29109 by tool rubber hammer and wooden block (see picture F).

Step 5

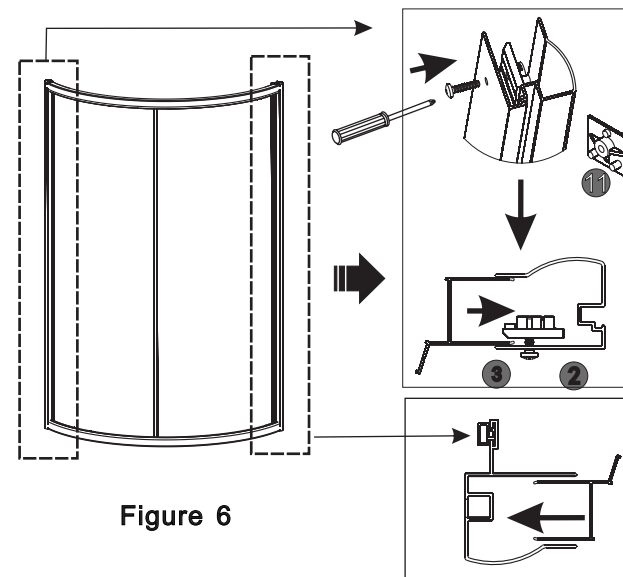


Figure 6

Insert the LC-26050 into LC-29109 (see picture 6).

Step 6

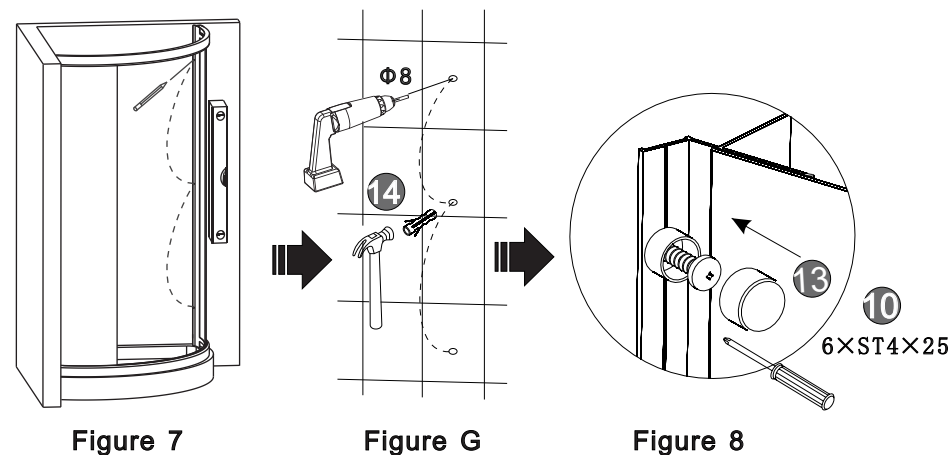


Figure 7

Figure G

Figure 8

Place the assembled glass and frame (glass enclosure) on the shower tray, check and adjust the vertical of frame and shower tray by plumb bob, then mark the position of installation hole of wall jamb on the wall with pencil;

Remove the glass enclosure and drill holes at the marked position, put expanded screws into the holes (see picture G);

Place the glass enclosure onto shower tray, fix the wall jamb on the wall by self-tapping screws (see picture 8).

Step 7

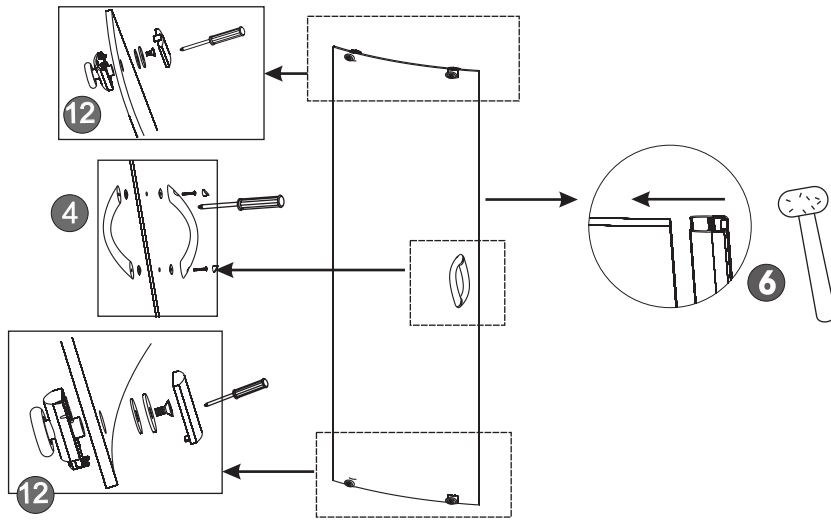


Figure 9

Install the rollers, handle and magnetic gasket as picture 9.

Step 8

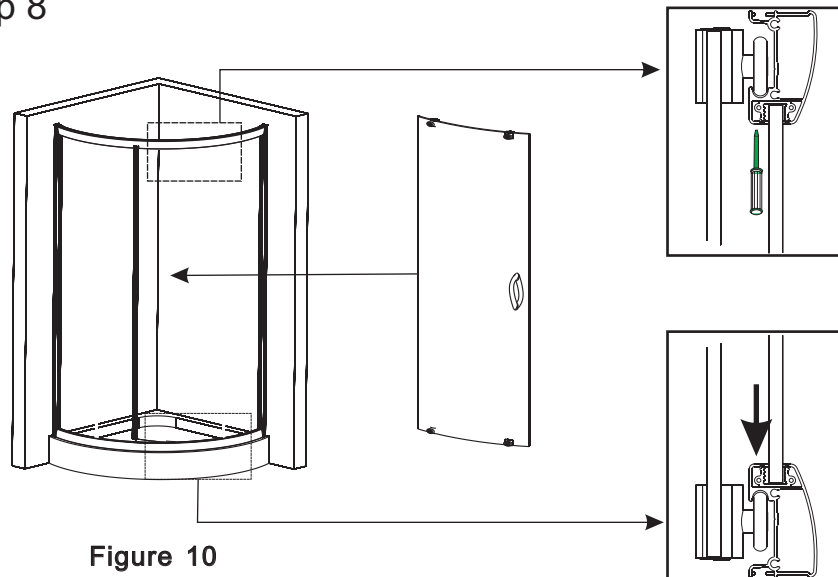


Figure 10

Install the glass door to the top and bottom rails as picture 10, then adjust it by Character Screwdriver.

Step 9

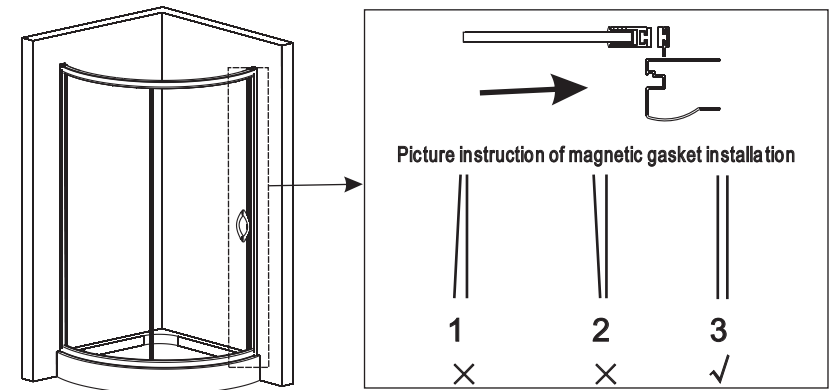
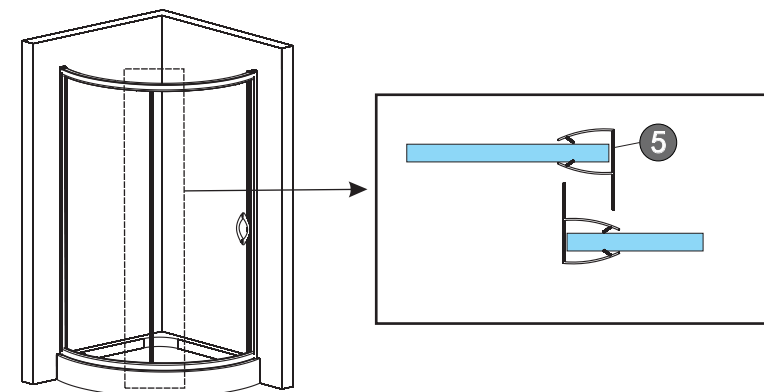


Figure H

Assemble and install the magnetic gasket of glass door.

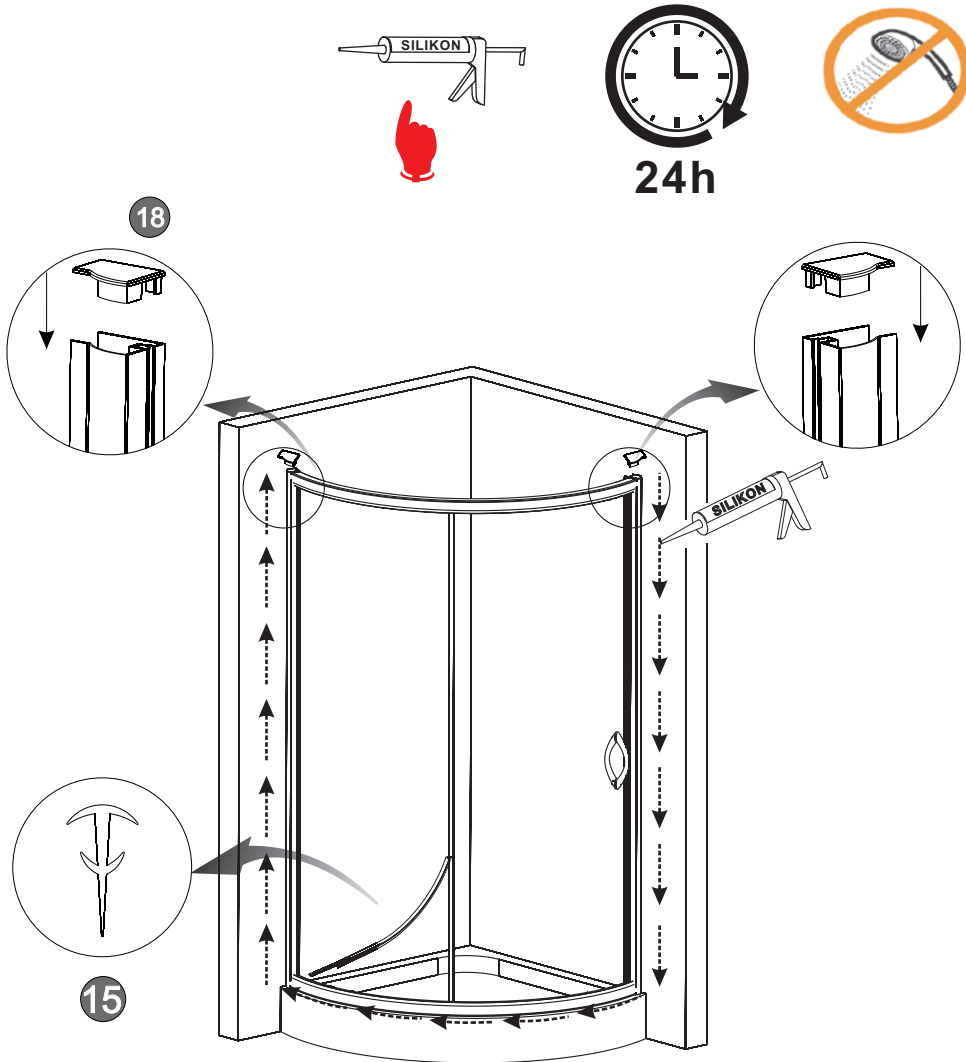
Shown as picture H, adjust the rollers and make the magnetic gasket of glass door to be third state.

Step 10



Install the plastic gasket.

Step 11



Seal the gap between wall and shower tray with neutral silicon glue, then apply the weather strip to avoid moldiness of silicon.
Please use the shower room 24 hours after installation.

<p>Do not let the child, the old people, or the costive people enter the shower room independently.</p>	<p>Please do not climb up the shower room or hanging the heavy item on it.</p>	<p>Please do not rap the shower room, with the hard friction, in order to avoid breakage.</p>
<p>To avoid tumble, please pay attention the high-low variance when enter the shower room.</p>	<p>To avoid injury, please do not put the hand in the crack of door when enter the shower room.</p>	<p>In the bathtub usually have the soapy water, easy to slip, please be careful!</p>
<p>The shower room should be maintain ventilates good, in order to avoid moldy or peculiar smell because of the moisture keep in it for a long time.</p>	<p>Please use the neutral liquid detergent and the soft cloth washes and rubs the shower room, do not use the acidity, the alkalinity detergent, the alcohol, the acetone, the ammonia and so on the organic solvent, it's forbidden to use the eradicator.</p>	<p>The glass sealant falls off can cause the water leakage, therefore, once falls off, please make up by all means.</p>