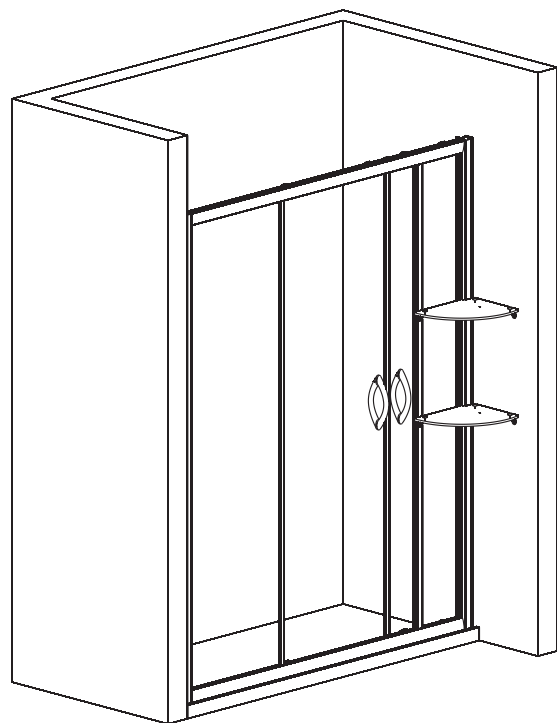


Instructions of Shower Room



S12195

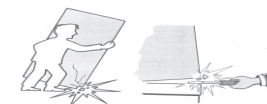
Dear customer:

Sincerely thanks for selecting our shower room, the series product made of high quality material, with the characteristics of simply, natural, comfortable, practical, excellent in quality and reasonable in price etc. It is the newest developed design of leisure product. It will bring to you a infinite relaxation, and infinite pleasure.

Please examine whether the accessories lack or not according to the whole picture, and analyze the structure and the installation position of the product. Then carry on installation according to the explanations as following instruction.

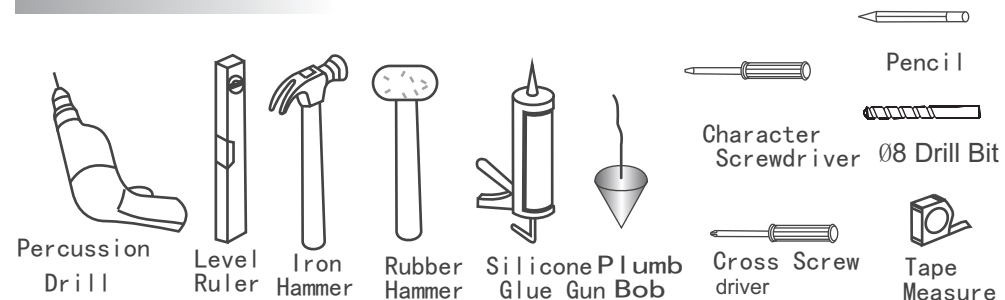
You are welcome to visit our web www.gemy.cn for more Information

ATTENTION



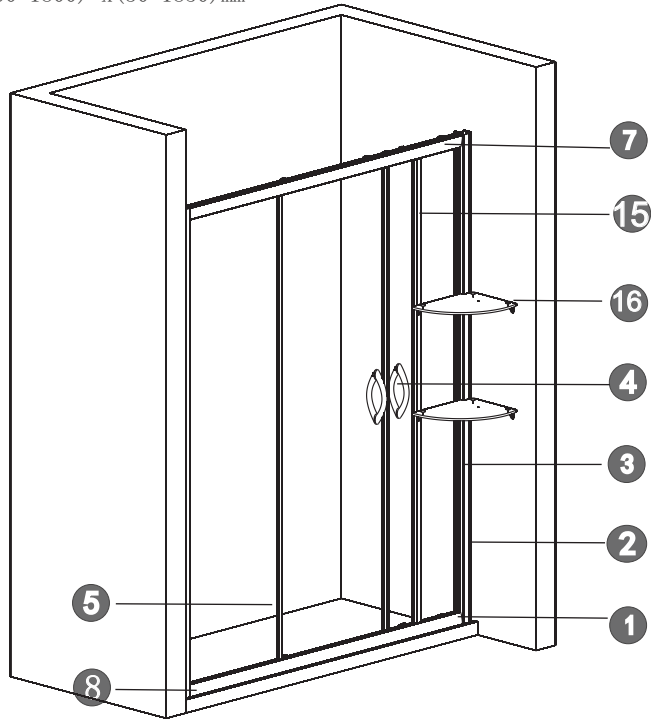
1. Don't let child or costive one use the shower room alone, otherwise may cause injury
2. It is easy to slip because of the soap water in the shower base, please be careful !
3. To avoid fire or damage, please don't put burning cigarette near the sit.hower base or fall ash in
4. Don't put stools in shower base and stand on it
5. To avoid scratch, please don't put tools like shaver blade in shower base
6. Please don't use acid, alkali, drugs (e.g. Hydrochloric Acid) and acetone impregnant, cleansing powder and abrasive to clean the shower room, because the impregnant above is bad for health
















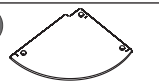
Installation Tools



Shower Room Structure

S12195 (1500-1800) x (30+1850)mm



1  2 plastic pieces	2  2 aluminum	3  2 aluminum	4  2 handle
5  Retaining Article 2	6  A magnetic stripe	7  2 aluminum	8  A marble
9  2 unilateral tape	10  14 XST4X25	11  6-conditioning block	12  4 pulley
13  Decorative screw cap 6	14  6 plastic expansion	15  A plastic case	16  2 storage rack

Installation Procedure

Step 1

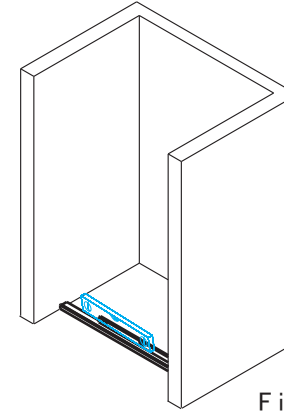


Figure 1

Place the marble base at installation position, and check whether it is level by level ruler, fill the gap between shower base and ground with cement if it is not level

Step 2

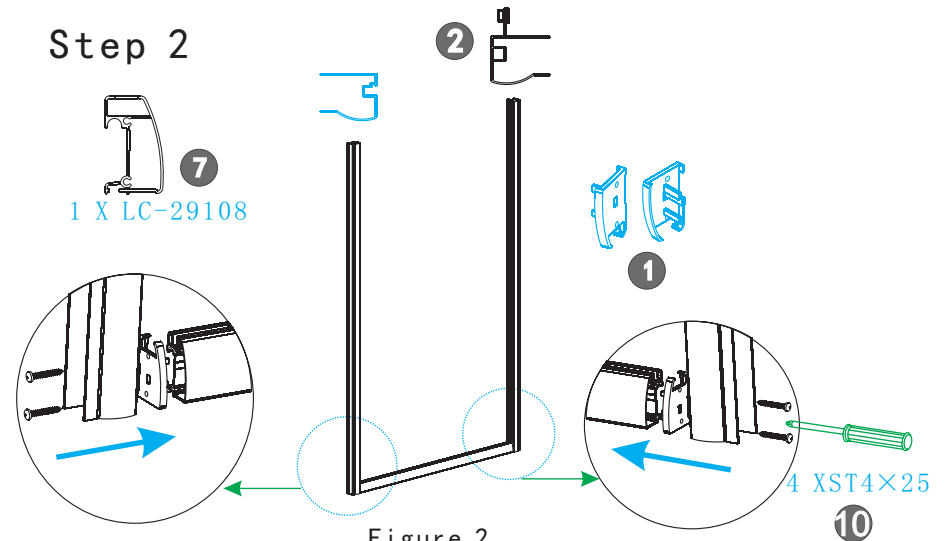
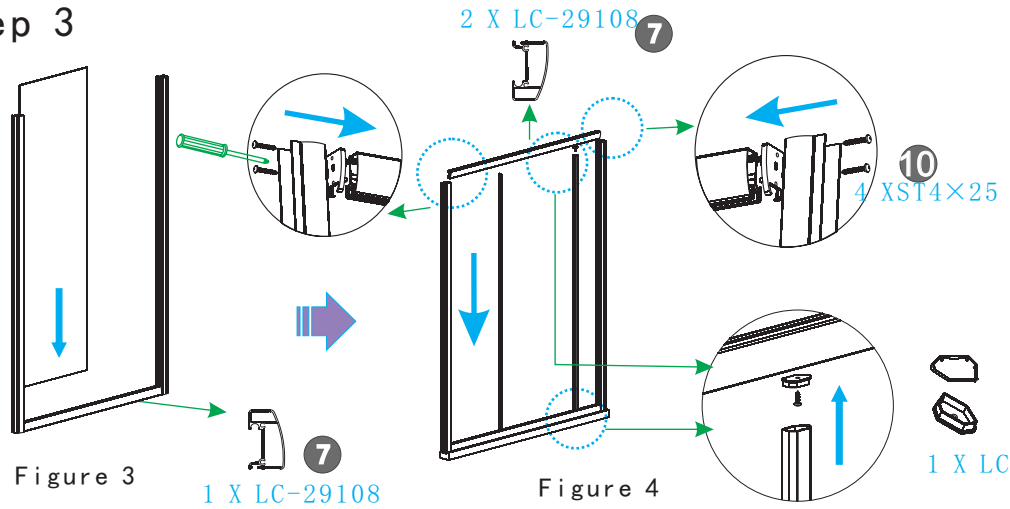


Figure 2

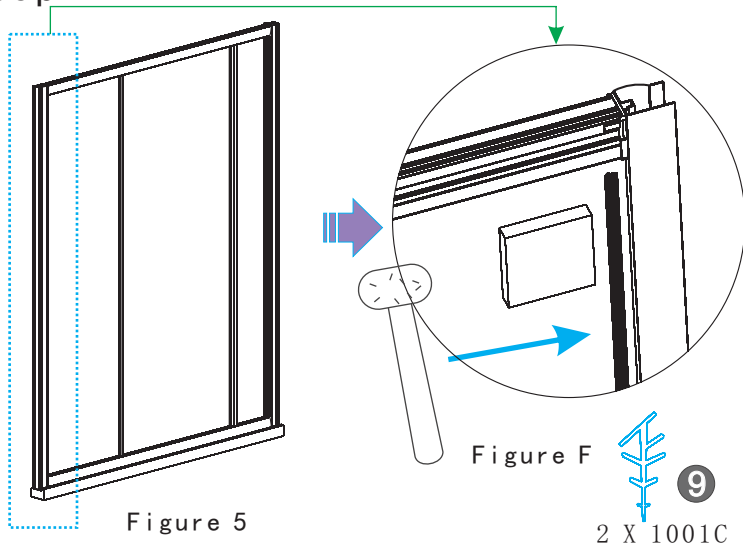
Connect the two side frames and bottom rail (see picture 2), fix it with self-tapping screws tightly.

Step 3



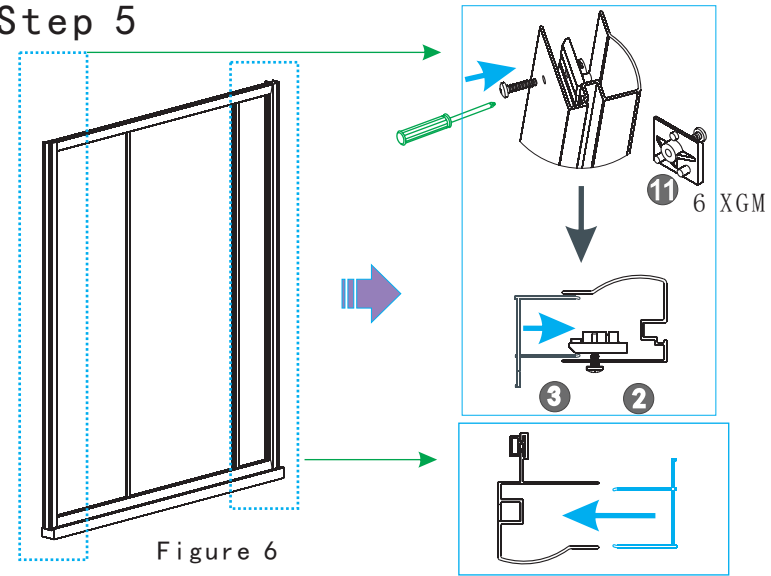
Insert the left and right fixed glass panel into bottom rail LC-29108 (see picture 3), connect the top rail to the side frames (see picture 4), then fix it by self-tapping screws tightly

Step 4



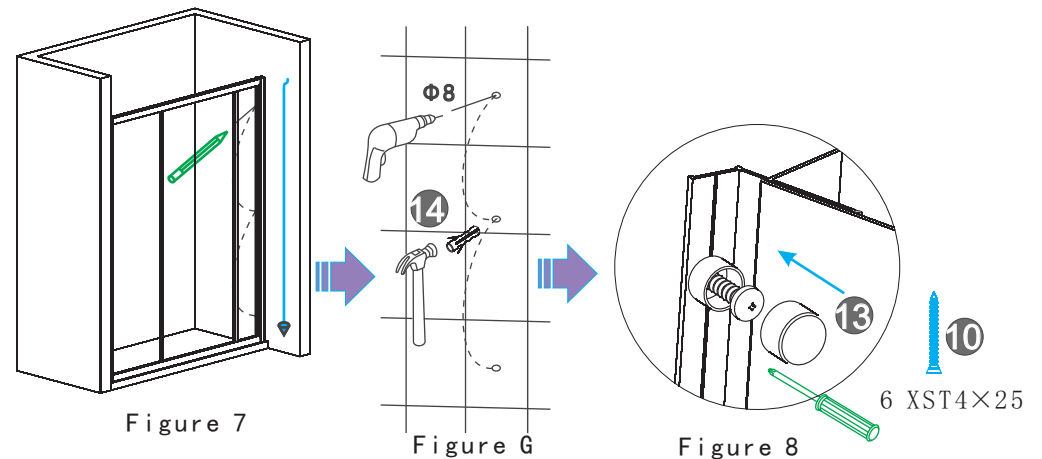
Shown as picture 5, insert the JT into connection of fixed glass panel and side frame LC-29109 by tool rubber hammer and wooden block (see picture F)

Step 5



Insert the LC-29107 into LC-29109; Insert the LC-29114 into LC-29113 (see picture 6)

Step 6



Place the assembled glass and frame (glass screen) on the marble base, check and adjust the vertical of frame and marble base by plumb bob, then mark the position of installation hole of wall jamb on the wall with pencil; Remove the glass screen and drill holes at the marked position, put expanded screws into the holes (see picture G); Place the glass screen onto marble base, fix the wall jamb on the wall by self-tapping screws (see picture 8)

Step 7

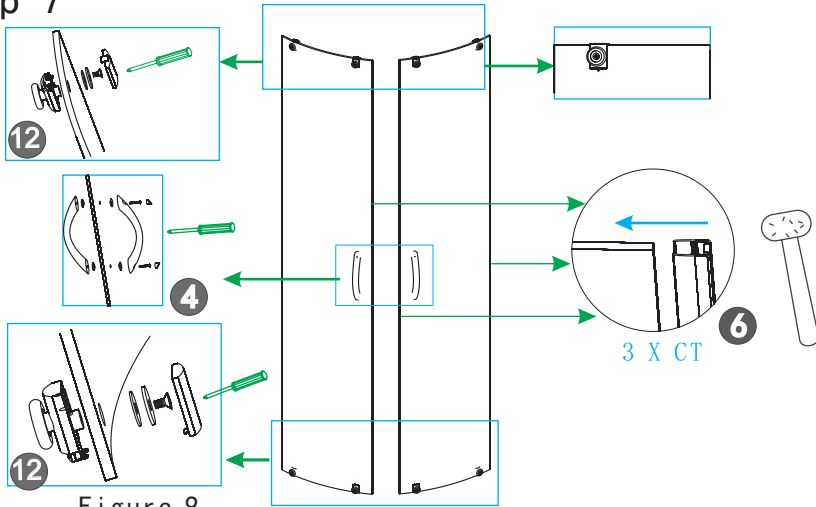


Figure 9

Install the rollers, handle and magnetic gasket as picture 9

Step 8

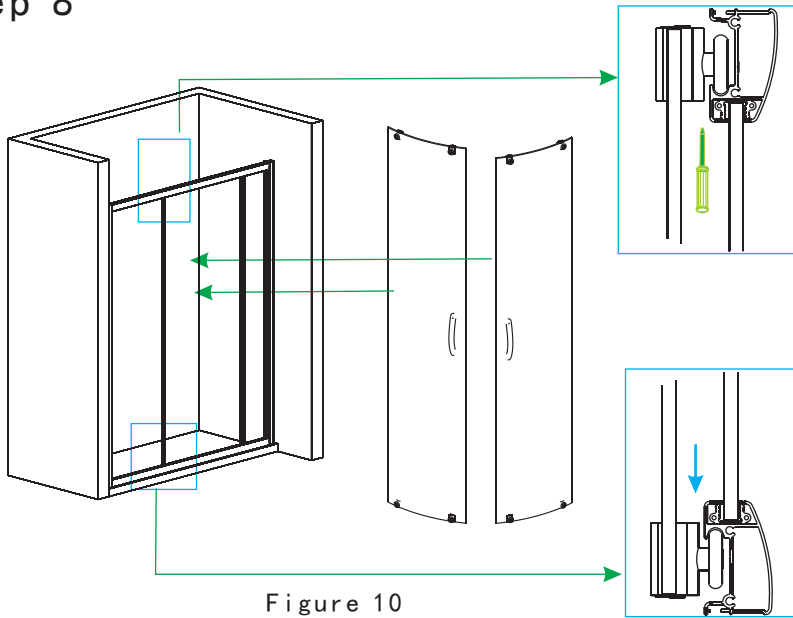
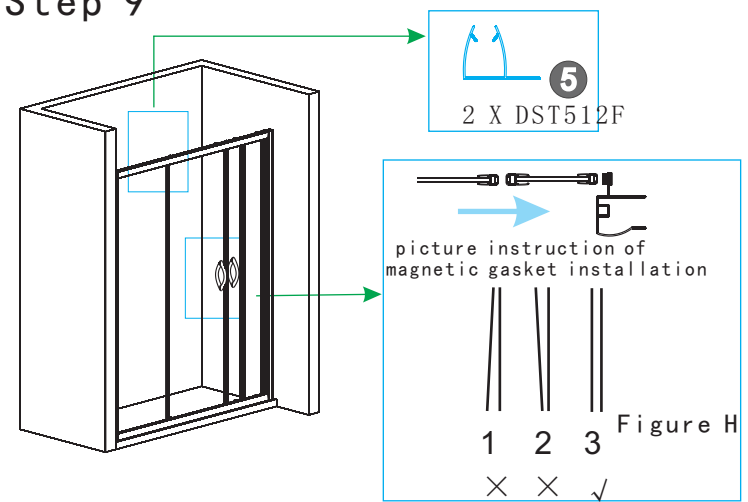


Figure 10

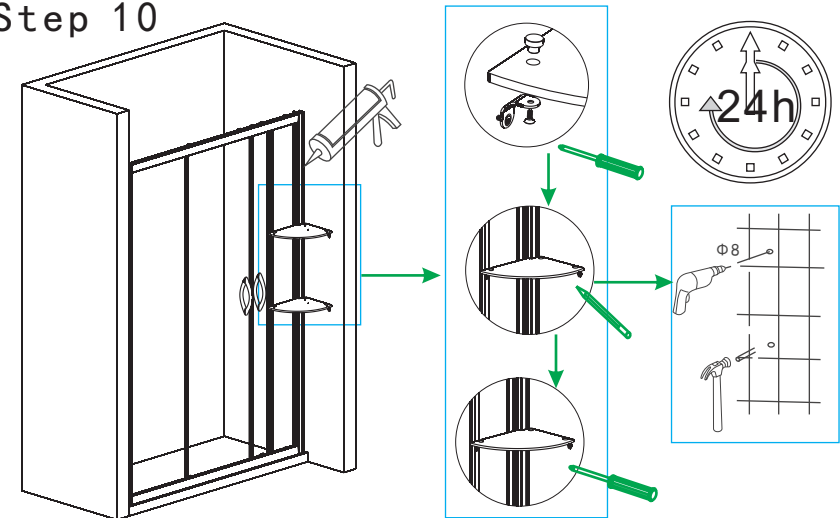
Install the glass door to the top and bottom rails as picture 10, then adjust it by Character Screwdriver

Step 9



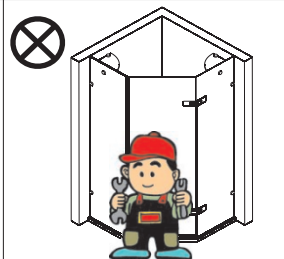

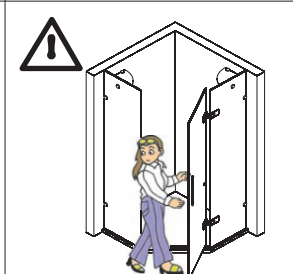
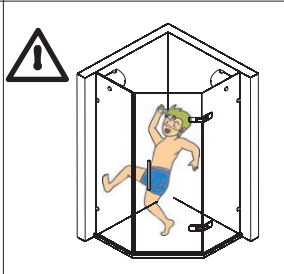
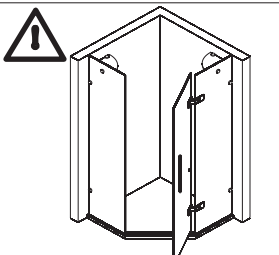
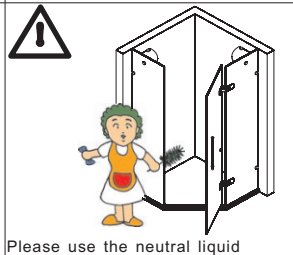
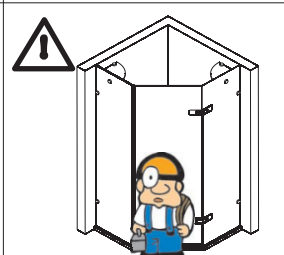


1. Assemble and install the magnetic gasket and plastic gasket of glass door
2. Shown as picture H, adjust the rollers and make the magnetic gasket of glass door to be third state

Step 10



Apply some neutral silicon glue between wall and side frame, please use the shower screen 24 hours after installation

 <p>Do not let the child, the old people, or the costive people enter the shower room independently.</p>	 <p>Please do not climb up the shower room or hanging</p>	 <p>Please do not rap the shower room, with the hard friction, in order to avoid breakage.</p>
 <p>To avoid tumble, please pay attention the high-low variance when enter the shower room.</p>	 <p>To avoid injury, please do not put the hand in the crack of door when enter the shower room.</p>	 <p>In the bathtub usually have the soapy water, easy to slip, please be careful!</p>
 <p>The shower room should be maintain ventilates good, in order to avoid moldy or peculiar smell because of the moisture keep in it for a long time.</p>	 <p>Please use the neutral liquid detergent and the soft cloth washes and rubs the shower room, do not use the acidity, the alkalinity detergent, the alcohol, the acetone, the ammonia and so on the organic solvent, it's forbidden to use the eradicator.</p>	 <p>The glass sealant falls off can cause the water leakage, therefore, once falls off, please make up by all means.</p>

Foshan Ailihua Sanitary Ware Co., Ltd
Add: Shanghua Industrial District,
Lecong Town, Shunde, Foshan, China
Tel: +86- 757-28972501
Fax: +86- 757-28100121
Email: export@gemy.cn